

BRIZO®

IMPORTANT DOCUMENTS ENCLOSED

CAUTION:

To reduce the risk of injury due to hot water burns, make sure the enclosed labels are applied where specified on the label.

DOCUMENTOS IMPORTANTES INCLUIDOS

AVISO:

Para reducir el riesgo de lesión por quemaduras de agua caliente, asegúrese que las etiquetas incluidas se han aplicado donde se ha especificado en la etiqueta.

DOCUMENTS IMPORTANTS À L'INTÉRIEUR

MISE EN GARDE :

Pour réduire le risque d'ébouillantage, veuillez apposer les étiquettes fournies aux endroits indiqués sur celles-ci.

NOTICE TO INSTALLER: Place this label on the water heater next to the temperature adjustment knob.

WARNING:
This series of tub/shower valves does not adjust automatically for changes in temperature at the hot water heater or inlet. If the temperature setting of the hot water heater or inlet is changed, the setting on these valves must be adjusted manually! Failure to re-adjust the valve may result in hot water burns or extreme cold resulting from variations in line pressure (such as when a dishwasher or washing machine is in use while you are taking a shower). After installation, verify that the temperature knob on the valve is set so that changes in line pressure or temperature do not result in uncomfortable water temperature changes. **If the temperature setting of the hot water heater or inlet is changed after installation of the valve, the setting of the temperature knob also must be changed!** Consult the installation instruction sheet for instructions on how to make this setting, or call us at 1-877-345-BRIZO.

AVISO AL INSTALADOR: Coloque esta etiqueta en el calentador de agua al lado de la perilla que ajusta la temperatura.

AVISO:
Esta serie de válvulas para bañeras/regaderas no se ajusta automáticamente a los cambios de temperatura en el calentador de agua o del agua de entrada. ¡Si el ajuste de temperatura del calentador de agua caliente o del agua de entrada, el ajuste en estas válvulas debe ajustarse manualmente! El no reajustar la válvula puede resultar en quemaduras por agua caliente o temperaturas de agua extremadamente frías resultando en variaciones de presión y temperatura (como cuando el fregador de platos o la lavadora están funcionando mientras que se baña). Después de la instalación, verifique que la perilla para el control de la temperatura en la válvula está ajustada para que cambios de presión y de temperatura en la línea no resulten en cambios de temperatura del agua incómodos. **Si el ajuste de la temperatura del calentador de agua o de la entrada de agua se cambia después de la instalación de la válvula, la perilla que ajuste ¡la temperatura también se debe cambiar!** Consulte con su hoja de instrucciones de instalación para saber como se ajusta o cambia el ajuste o llámenos al 1-877-345-BRIZO.

AVIS À L'INSTALLATEUR : Placez cette étiquette sur le chauffe-eau, près du bouton de réglage de température.

AVERTISSEMENT:
La soupape de robinet de baignoire ou de douche de cette série ne se règle pas automatiquement en fonction des changements de température de l'eau chaude au chauffe-eau ou de l'eau d'alimentation. En cas de modification du réglage de température du chauffe-eau ou de la température de l'eau d'alimentation, le réglage de ces soupapes doit être modifié manuellement! Si le réglage de la soupape n'est pas modifié, le robinet pourra permettre l'écoulement d'eau très chaude susceptible de causer l'ébouillantage ou d'eau très froide, sous l'effet des variations de pression et de température dans la tuyauterie d'alimentation (lorsque la douche est utilisée en même temps que le lave-vaisselle ou la machine à laver, par exemple). Après l'installation, assurez-vous que le bouton de température sur la soupape est réglé de manière que les fluctuations de pression et de température dans la tuyauterie d'alimentation n'entraînent pas de changements de température de l'eau inconfortables. **En cas de modification du réglage de température du chauffe-eau ou de la température de l'eau d'alimentation après l'installation de la soupape, le réglage du bouton de température doit être modifié!** Pour régler le bouton de température, consultez la feuille d'instructions d'installation ou appelez-nous au 1-877-345-BRIZO.

NOTICE TO INSTALLER: Place this label close to the valve where the owner will see it, such as inside the door of a cabinet or vanity.

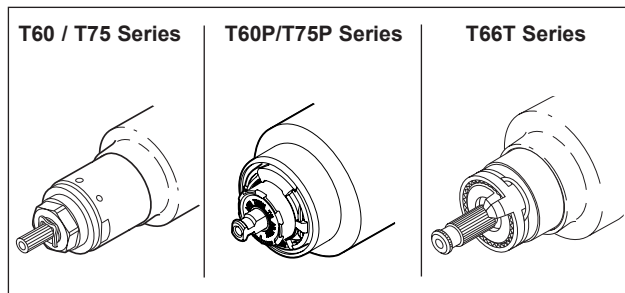
WARNING:
Water temperature changes due to seasonal or other inlet variations, such as changing the setting on the hot water heater may require adjustment of the temperature knob on your tub/shower valve to ensure a safe maximum temperature. This valve series does not automatically adjust for inlet temperature changes. If changes occur and you are not sure how to make the necessary temperature knob adjustments, please consult the installation instruction sheet provided with this valve or call 1-877-345-BRIZO. This valve is designed to reduce the risk of injury due to inlet pressure or temperature changes, commonly caused by dishwashers, washing machines, toilets and the like. **It may not provide protection from hot water burns when there is a failure of other temperature controlling devices elsewhere in the plumbing system.** After making the necessary adjustments please fill in the information below. This valve/system has been set by the person listed below to help ensure a safe maximum temperature. Any change in the setting may raise the temperature of the water coming out of the shower or bath above the limit considered safe and could lead to hot water burns. If this label has not been completed, you should verify that the temperature knob has been properly adjusted to suit your individual installation. The installation instruction sheet supplied with the valve provides information on how to make this setting.

AVISO AL INSTALADOR: Coloque esta etiqueta cerca de la válvula donde el propietario la pueda ver, tal como dentro de la puerta del gabinete o el tocador.

AVISO:
Los cambios de temperatura del agua por variaciones estacionales u otras variaciones en el agua de entrada, como cambiando el ajuste en el calentador de agua pueden requerir el ajuste de la perilla para el control de la temperatura de su unidad bañera/regadera para ayudar a asegurar una temperatura máxima segura. Este válvulas no se ajusta automáticamente a cambios de temperatura en el agua de admisión. Si los cambios ocurren y usted no está seguro como hacer los ajustes necesarios con la perilla para controlar la temperatura, por favor consulte la hoja de instrucciones de instalación proporcionada con esta válvula o llámenos al 1-877-345-BRIZO. Esta válvula está diseñada para reducir el riesgo de lesión por cambios de temperatura del agua que entra o por los cambios de presión del agua que comúnmente son causados por los usos simultáneos de fregadoras de platos, lavadoras, sanitarios y aparatos similares. **Pueda no proporcionar protección de quemaduras por el agua caliente cuando hay una falla de otros mecanismos que controlan la temperatura del agua en otro sitio del sistema de plomería.** Después de hacer los ajustes necesarios, por favor escriba la información a continuación. Esta válvula/sistema ha sido ajustada por la persona indicada a continuación para ayudar a asegurar una temperatura máxima segura. Cualquier cambio al ajuste puede aumentar la temperatura del agua que sale de la ducha o el baño sobre el límite considerado seguro y puede resultar en quemaduras por el agua caliente. Si esta etiqueta no se a llenado, debe verificar si la perilla para el control de la temperatura hay sido correctamente ajustada para el gusto de su instalación individual. La hoja de instrucciones de instalación proporcionada con las válvulas le suministra información sobre como hacer esto.

AVIS À L'INSTALLATEUR : Placez cette étiquette près de la soupape à un endroit où le propriétaire pourra la voir, du côté intérieur de la porte de l'armoire ou du meuble par exemple.

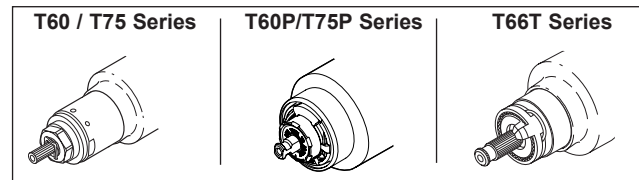
AVERTISSEMENT:
La température de l'eau peut varier en raison des changements de saison, d'une modification du réglage du chauffe-eau ou d'autres changements. Par conséquent, un réglage du bouton de température de votre soupape de douche ou de baignoire peut s'imposer pour que la température maximale de l'eau demeure sécuritaire. Les soupapes de cette série ne s'ajustent pas automatiquement aux changements de température de l'eau d'alimentation. Si des changements vous obligent à régler le bouton de température et vous n'êtes pas certain de la marche à suivre, veuillez consulter le feuillet d'instructions fourni avec la soupape ou appeler au 1-877-345-BRIZO. Cette soupape est conçue pour réduire les risques de blessures causées par des changements de la température ou de la pression de l'eau d'alimentation habituellement causés par le lave-vaisselle, la machine à laver, une toilette ou un autre appareil qui consomme de l'eau. **Elle peut ne pas assurer de protection contre l'ébouillantage en cas de défectuosité d'un autre dispositif de régulation de la température dans la tuyauterie. Après avoir effectué le réglage nécessaire, veuillez inscrire l'information requise ci-dessous.** La personne dont le nom figure ci-dessous a réglé cette soupape pour qu'elle puisse maintenir une température maximale sécuritaire. Toute modification du réglage peut entraîner une élévation de la température de l'eau s'écoulant par la douche ou dans la baignoire au delà de la limite considérée sécuritaire, ce qui pourrait causer un ébouillantage. Si cette étiquette n'a pas été remplie, vous devriez vous assurer que le bouton de température a été réglé en fonction des caractéristiques de votre installation. Le feuillet d'instruction fourni avec la soupape indique la marche à suivre pour effectuer le réglage.



BRIZO®

TO BE FILLED OUT BY THE INSTALLER / PARA SER LLENADO POR EL INSTALADOR / A REMPLIR PAR L'INSTALLATEUR:

BY/POR/PAR _____ COMPANY/COMPANIA/COMPAGNIE _____
DATE/FECHA/LE _____ PHONE/TELÉFONO/TELÉPHONE _____



BRIZO®

Owners Manual

T60P Series

Write purchased model number here.

For easy installation of your Brizo® faucet you will need:

- To **READ ALL** the instructions completely before beginning.
- To **READ ALL** warnings, care, and maintenance information.

You May Need

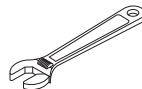
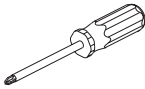


Table of Contents:

Warranty	Page 2
Installation Instructions	Pages 3 - 6
Maintenance	Page 7
Replacement Parts	Pages 8-12

THIS VALVE MEETS OR EXCEEDS THE FOLLOWING STANDARDS:

ASME A112.18.1/CSA B125.1 and ASSE 1016.
CAUTION: This system/device must be set by the installer to ensure safe, maximum temperature. Any change in the setting may raise the discharge temperature above the limit considered safe and may lead to hot water burns.

NOTICE TO INSTALLER: CAUTION!—As the installer of this valve, it is your responsibility to properly **INSTALL** and **ADJUST** this valve per the instructions given. This valve does not automatically adjust for inlet temperature changes, therefore, someone must make the necessary temperature knob adjustments at the time of installation and further adjustments may be necessary due to seasonal water temperature change. **YOU MUST** inform the owner/user of this requirement by following the instructions. If you or the owner/user are unsure how to properly make these adjustments, please refer to pages 5 & 6 and if still uncertain, call us at 1-877-345-BRIZO (2749).

After installation and adjustment, you must affix

your name, company name and the date you adjusted the temperature knob to the caution label provided and apply or attach the label to the back side of the closest cabinet door and the warning label to the water heater. **Leave this Instruction Sheet for the owner's/user's reference.**

WARNING: This thermostatic bath valve is designed to minimize the effects of outlet water temperature changes due to inlet pressure and temperature changes, commonly caused by dishwashers, washing machines, toilets and the like. It may not provide protection from hot water burns when there is a failure of other temperature controlling devices elsewhere in the plumbing system, if the temperature knob is not properly set or if the hot water temperature is changed after the settings are made or if the water inlet changes due to seasonal changes.

WARNING: Do not install a shut-off device on either outlet of this valve. When this type of device shuts off the water flow, it can defeat the ability of the valve to balance the hot and cold water pressures.

Limited Warranty on Brizo® Faucets

Parts and Finish

All parts (other than electronic parts and batteries) and finishes of this Brizo® faucet are warranted to the original consumer purchaser to be free from defects in material and workmanship for as long as the original consumer purchaser owns the home in which the faucet was first installed or, **for commercial users, for 5 years from the date of purchase.**

Electronic Parts and Batteries (if applicable)

Electronic parts (other than batteries), if any, of this Brizo® faucet are warranted to the original consumer purchaser to be free from defects in material and workmanship for 5 years from the date of purchase or, for commercial users, for one year from the date of purchase. No warranty is provided on batteries.

Brizo Kitchen & Bath Company will replace, **FREE OF CHARGE**, during the applicable warranty period, any part or finish that proves defective in material and/or workmanship under normal installation, use and service. If repair or replacement is not practical, Brizo Kitchen & Bath Company may elect to refund the purchase price in exchange for the return of the product. **These are your exclusive remedies.**

Brizo Kitchen & Bath Company recommends using a professional plumber for all installation and repair. We also recommend that you use only genuine Brizo® replacement parts.

Brizo Kitchen & Bath Company shall not be liable for any damage to the faucet resulting from misuse, abuse, neglect or improper or incorrectly performed installation, maintenance or repair, including failure to follow the applicable care and cleaning instructions.

Replacement parts may be obtained by calling the applicable number below or by writing to:

In the United States and Mexico:

Brizo Kitchen & Bath Company
Product Service
55 E. 111th Street
Indianapolis, IN 46280
1-877-345-BRIZO (2749)
brizosupport@brizo.com

In Canada:

Masco Canada Limited, Plumbing Group
Technical Service Centre
350 South Edgeware Road
St. Thomas, Ontario, Canada N5P 4L1
1-877-345-BRIZO (2749)
customerservice@mascocanada.com

Proof of purchase (original sales receipt) from the original purchaser must be made available to Brizo Kitchen & Bath Company for all warranty claims unless the purchaser has registered the product with Brizo Kitchen & Bath Company. This warranty applies only to Brizo® faucets manufactured after January 1, 1995 and installed in the United States of America, Canada and Mexico.

BRIZO KITCHEN & BATH COMPANY SHALL NOT BE LIABLE FOR ANY SPECIAL, INCIDENTAL OR CONSEQUENTIAL DAMAGES (INCLUDING LABOR CHARGES) FOR BREACH OF ANY EXPRESS OR IMPLIED WARRANTY ON THE FAUCET. Some states/provinces do not allow the exclusion or limitation of special, incidental or consequential damages, so these limitations and exclusions may not apply to you. This warranty gives you special legal rights. You may also have other rights which vary from state/province to state/province.

This is Brizo Kitchen & Bath Company's exclusive written warranty and the warranty is not transferable.

If you have any questions or concerns regarding our warranty, please view our Warranty FAQs at www.Brizo.com, email us at brizosupport@brizo.com or call us at the applicable number above.

© 2018 Masco Corporation of Indiana

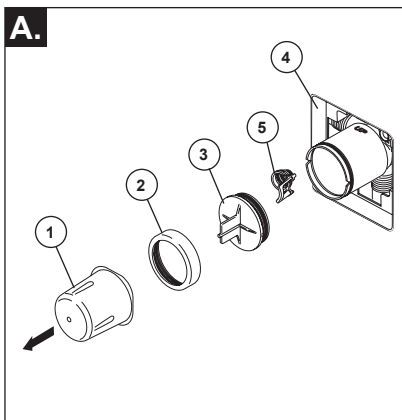
Cleaning and Care

Care should be given to the cleaning of this product. Although its finish is extremely durable, it can be damaged by

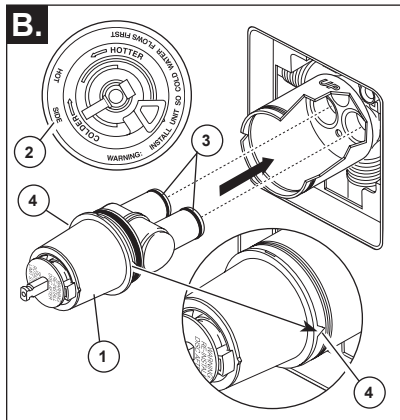
harsh abrasives or polish. To clean, simply wipe gently with a damp cloth and blot dry with a soft towel.

1

Cartridge Installation



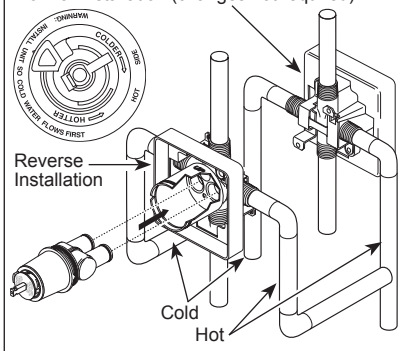
Turn off water supplies. Remove cover (1), bonnet nut (2) and test cap (3) from the body. If this is not a thin wall mounting, the entire plasterguard (4) may be removed. If screen (5) is in place, remove before installing cartridge.



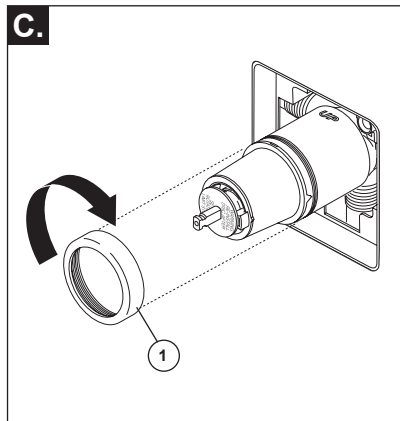
Rotate the cartridge (1) so the words "hot side" (2) appear on the left. Insert cartridge into valve body as shown. Make sure the cartridge tubes and O-rings (3) are properly seated in holes at the base of the body. Ensure the keys on the body are fully engaged with the slots in the body (4).

Back to back Installation

Normal Installation (changes not required)



For back to back or reverse installations (hot on right and cold on left) insert the cartridge with the "hot side" on the right. If you are not making a reverse or back to back installation skip this step and continue with step 1C.



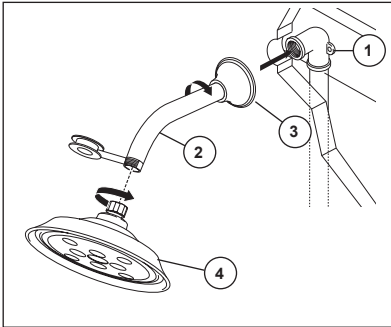
Slide bonnet nut (1) over the cartridge and thread onto the body. Hand tighten securely.

T60P Series Installation

2

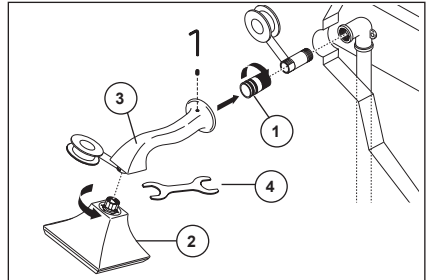
Showerhead and Tub Spout Installation

(For Tub Spout installation refer to the installation guide provided with your tub spout)



FOR SHOWERHEAD INSTALLATION:

Connect top outlet (1) to shower arm (2) with proper fittings. To prevent damage to finish on shower arm, insert wall end of shower arm into shower flange (3) before screwing arm into riser connection. Thread showerhead (4) onto shower arm. Apply plumber tape to pipe threads on both ends. Do not overtighten showerhead.

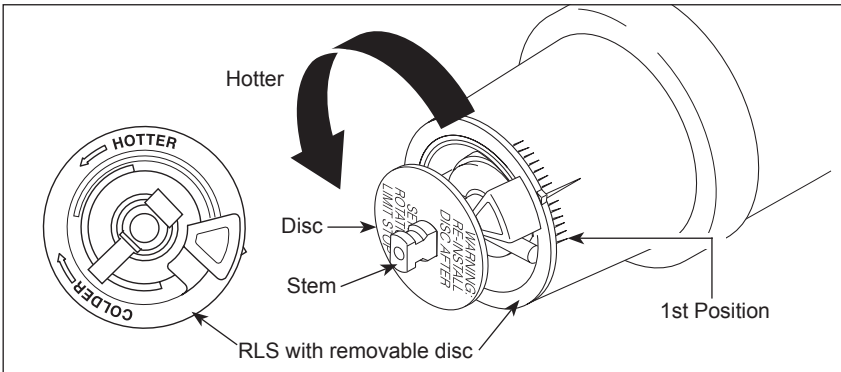


FOR RSVP® (RP48040), SOTRIA® (RP75722) AND VIRAGE® (RP62603) SHOWER ARM INSTALLATION:

Install a 1/2" threaded pipe nipple to extend beyond the finished wall 3/8" to 1/2". Apply plumber tape to thread on pipe nipple and screw brass adapter (1) securely onto nipple. Apply plumber tape to outlet end of shower arm and screw showerhead (2) onto the shower arm (3), using provided wrench (4) to tighten securely. Check position of set screw on top of shower arm (3) making sure it is not sticking through to the inside opening where it could interfere with the assembly. Slide shower arm and head assembly over the adapter and tighten set screw against the adapter.

3

Adjusting the Rotational Limit Stop – Identify RSL type from pages 5-6.



IMPORTANT:

The Rotational Limit Stop is used to limit the amount of hot water available such that, if set properly, the user will not be scalded if the handle accidentally is rotated all the way to “hot” when a person is showering or filling a tub. The first position allows the **LEAST** amount of hot water to mix with the cold water in the system. In the first position the water will be the coldest possible when the handle is turned all the way to hot. As you move the Rotational Limit Stop counterclockwise, you progressively add more and more hot water in the mix. The last position to the left will result in the greatest amount of hot water to the mix, and the greatest risk of scald injury if someone accidentally turns the valve handle all the way to the hot side while showering or filling a tub.

WARNING: In some instances, setting the Rotational Limit Stop in the hottest position (full counterclockwise) could result in scald injury. It is necessary to adjust the Rotational Limit Stop so that the water coming out of the valve will not scald the user when the handle of the valve is rotated to the hot side.

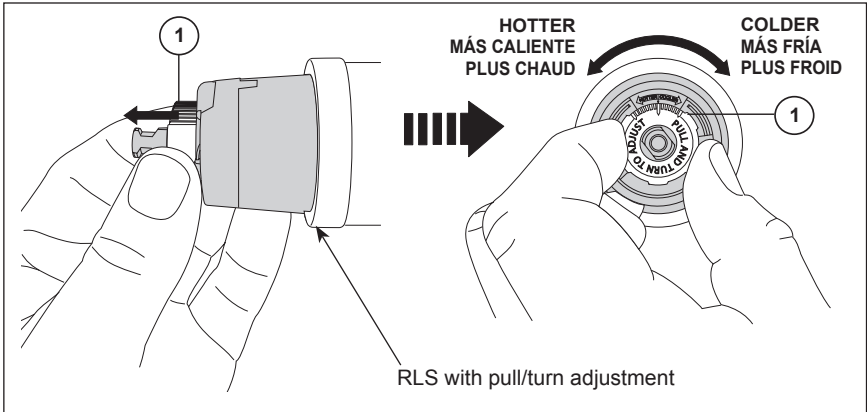
- According to the majority of industry standards, the maximum allowable temperature of the water exiting the valve is 120°F (Your local plumbing codes may require a water temperature less than 120°F).
- The Rotational Limit Stop may need to be readjusted seasonally if the inlet water temperature changes. For example, during the winter, the cold water temperature is colder than it is during the summer which could

result in varying outlet temperatures. A water temperature for a comfortable bath or shower is typically between 90°F - 110°F.

- Run the water so that the cold water is as cold as it will get and hot water is as hot as it will get. Place the handle on the stem (see page 7, step 4D) and rotate the handle counterclockwise until the handle stops.
 - Place a thermometer in a plastic tumbler and hold in the water stream. If the water temperature is above 120°F, the Rotational Limit Stop must be repositioned clockwise to decrease valve outlet water temperature to be less than 120°F or to meet the requirements of your local plumbing codes.
 - To adjust the temperature of the water coming out of the valve, pull the disc back to a position where it is possible to remove the Rotational Limit Stop and readjust the teeth engagement position to the desired temperature. Clockwise will decrease the outlet temperature, counterclockwise will increase the outlet temperature. Temperature change per tooth (notch) could be 4° - 16°F based on inlet water conditions. Repeat as necessary. Push disc until fully seated.
- WARNING: Failure to re-install Disc after setting Rotational Limit Stop could result in scald injury.**
- **MAKE SURE COLD WATER FLOWS FROM THE VALVE FIRST. MAKE SURE WATER FLOWING FROM THE VALVE AT THE HOTTEST FLOW POSSIBLE DOES NOT EXCEED 120°F OR THE MAXIMUM ALLOWED BY YOUR LOCAL PLUMBING CODE.**

3

Adjusting the Rotational Limit Stop – Identify RSL type from pages 5-6.



ADJUSTING THE ROTATIONAL LIMIT STOP

IMPORTANT: The Rotational Limit Stop is used to limit the amount of hot water available such that, if set properly, a scald injury is less likely to occur if the handle accidentally is rotated all the way to “hot” when a person is showering or filling a tub. The first position allows the **LEAST** amount of hot water to mix with the cold water in the system. In the first position the water will be the coldest possible when the handle is turned all the way to hot. As you move the Rotational Limit Stop counterclockwise, you progressively add more and more hot water in the mix. The last position to the left will result in the greatest amount of hot water to the mix, and the greatest risk of scald injury if someone accidentally turns the valve handle all the way to the hot side while showering or filling a tub.

WARNING: In some instances, setting the Rotational Limit Stop in the hottest position (full counterclockwise) could result in scald injury. It is necessary to adjust the Rotational Limit Stop so that the water coming out of the valve will not scald the user when the handle of the valve is rotated to the hot side.

- According to the majority of industry standards, the maximum allowable temperature of the water exiting the valve is 120°F (Your local plumbing codes may require a water temperature less than 120°F).
- The Rotational Limit Stop may need to be re-adjusted seasonally if the inlet water temperature changes. For example, during the winter, the cold water temperature is colder than it is during the summer which could result in varying outlet temperatures. A water

temperature for a comfortable bath or shower is typically between 90°F - 110°F.

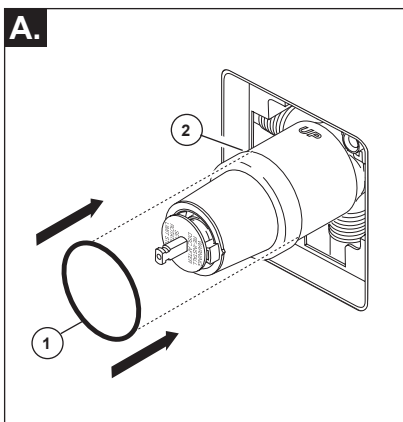
- Run the water so that the cold water is as cold as it will get and hot water is as hot as it will get. Place the handle on the stem (see page 9, step 4F) and rotate the handle counterclockwise until the handle stops.
 - Place a thermometer in a plastic tumbler and hold in the water stream. If the water temperature is above 120°F, the Rotational Limit Stop must be repositioned clockwise to decrease valve outlet water temperature to be less than 120°F or to meet the requirements of your local plumbing codes.
 - To adjust the temperature of the water coming out of the valve, pull the white Rotational Limit Stop (1) outward and rotate. Clockwise rotation will decrease the outlet temperature, counterclockwise rotation will increase the outlet temperature. Temperature change per tooth (notch) could be 4° - 16°F based on inlet water conditions. Repeat as necessary. When finished, make sure that the Rotational Limit Stop is fully retracted into the seated position.
- WARNING: Do not take the Rotational Limit Stop apart.**
- **MAKE SURE COLD WATER FLOWS FROM THE VALVE FIRST. MAKE SURE WATER FLOWING FROM THE VALVE AT THE HOTTEST FLOW POSSIBLE DOES NOT EXCEED 120°F OR THE MAXIMUM ALLOWED BY YOUR LOCAL PLUMBING CODE.**

T60P Series Installation

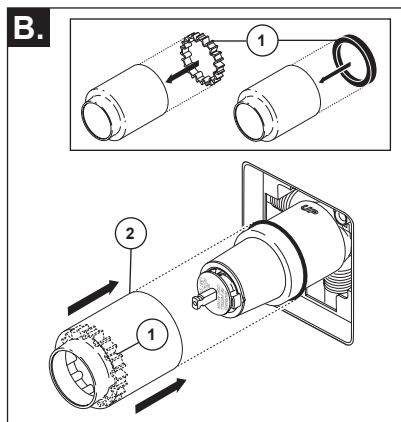
4

Valve Trim Installation

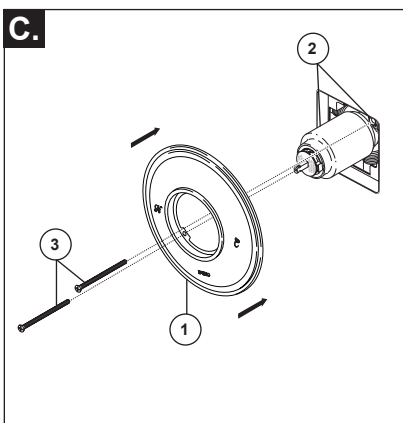
(See page 8 & 9 for Siderna® valve trim installation.)



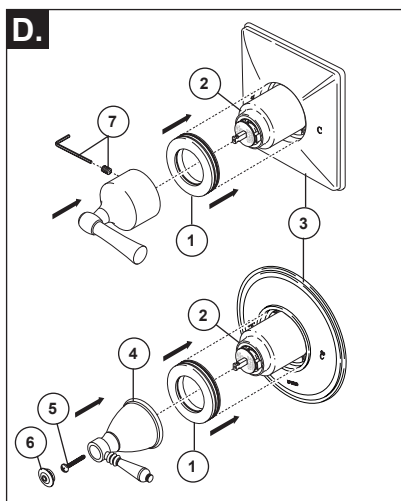
Slide O-ring (1) over cartridge and the bonnet nut (2). The O-ring, which acts as a spacer to steady the sleeve, should rest behind the bonnet nut.



If your model requires a spacer (1), insert it into the sleeve (2) and push it to the front. Slide the sleeve over the cartridge, body and O-ring.



Secure the escutcheon (1) to the bracket (2) using the 2 screws provided (3). Do not overtighten escutcheon screws.



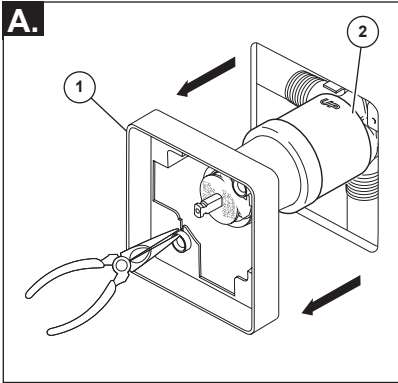
Slide trim ring (1) over trim sleeve (2) and insert into escutcheon (3). **Models T60P210 & T60P410** - Secure handle (4) onto the stem using screw (5) and a phillips head screwdriver. Insert button (6) into handle. **Other models** - Secure handle onto the stem using set screw and Allen wrench (7).

T60P Series Installation

4

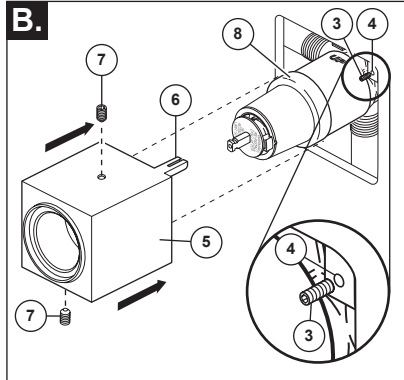
Siderna® Valve Trim Installation (T60P080)

A.



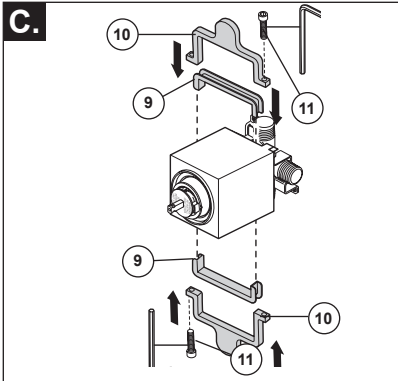
Remove plaster guard (1) from rough (2).

B.



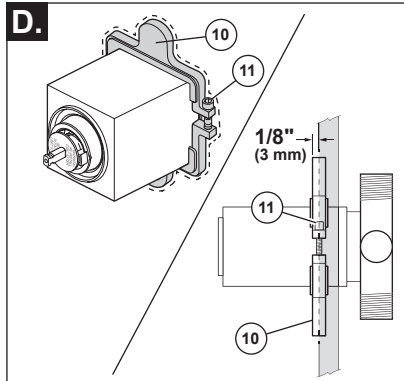
Using supplied Allen wrench, install both anti-rotational pins (3) into holes (4) in the valve body. **USE CARE TO NOT DROP PINS BEHIND THE WALL.** It is important that the rough be mounted in the wall as level as possible because of the square shape of this product. Slide trim sleeve (5) over the cartridge and bonnet aligning the two legs (6) of the sleeve over the anti-rotational pins (3). If the trim is not square, you can try removing a pin and holding the sleeve secure with the two set screws (7) provided. Make sure the sleeve is pushed all the way back so the legs of the sleeve rest against the valve body. The set screws (7) should be in a position where they hit just behind the bonnet nut (8). Tighten set screws (7).

C.



Assemble the two mounting sleeves (9) and two mounting plates (10). Slide the mounting plate assemblies over the trim sleeve so that the tabs/plates (10) are at the top and bottom of the trim sleeve, as shown. Thread screws (11) into mounting plates just enough to assemble the two sides together. Slide the mounting plates back against the wall and finish tightening the screws (11).

D.

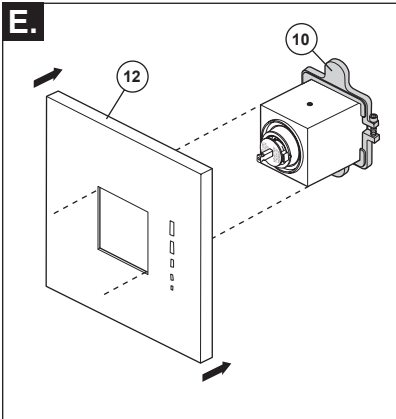


Using the mounting plates (10) as a guide, enlarge hole around rough so that plates can be pushed up to 1/8" into the wall. Tighten screws (11).

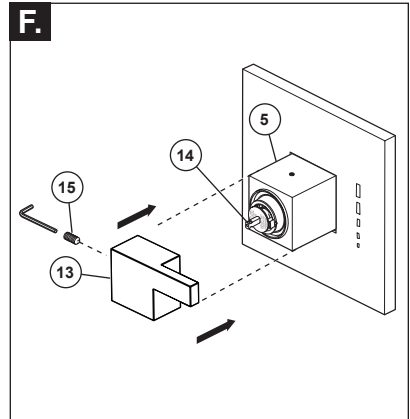
T60P Series Installation

4

Siderna® Valve Trim Installation (T60P080)



Place the center hole of the escutcheon (12) over the trim sleeve and carefully push it back to the mounting plates (10). Magnets on the back of the escutcheon will keep it in place.



Place handle (13) over valve stem (14) and onto the trim sleeve (5). Lever should point horizontally to 3 o'clock position. Secure handle with set screw (15).

T60P Series Maintenance

Faucet leaks from tub spout/showerhead:

SHUT OFF WATER SUPPLIES.

Replace seats and springs—Repair Kit RP4993. Check condition of lower O-rings and replace if necessary RP14414. See Helpful Hints 1, 2, & 3.

If leak persists:

SHUT OFF WATER SUPPLIES.

Replace valve cartridge RP46074. See Helpful Hints 1, 2, 3 & 5.

Unable to maintain constant water temperature:

Replace valve cartridge RP46074 or follow instructions in Helpful Hints 1, 2, 4 & 5.

Helpful Hints:

1. Before removing valve cartridge assembly for any maintenance, be sure to note the position of the rotational limit stop on the cap. The valve cartridge assembly must always be put back in the same position. BE SAFE! After you have finished the installation, turn on valve to make sure COLD WATER FLOWS FIRST.
2. To remove valve cartridge from body, shut off water supplies and remove handle and bonnet nut. Do not pry the valve cartridge out of the body with a screwdriver. Place handle on stem and rotate counterclockwise

approximately 1/4 turn after the stop has been contacted. Lift valve cartridge out of body.

3. To remove seats and springs, remove valve cartridge. Separate cap assembly from the housing assembly by rotating the cap assembly counterclockwise 90° (degrees). Separate cap and housing assemblies. Remove seats and springs and replace. Place the largest diameter of the spring into the seat pocket first and then press the tapered end of the seal over the spring. Reassemble valve cartridge and replace in body following instructions given in 1 above.

4. If the water in your area has lime, rust, sand or other contaminants in it, your pressure balance valve will require periodic inspection. The frequency of the inspection will depend on the amount of contaminants in the water. To inspect valve cartridge remove it and follow the steps in note 1 above. Turn the valve to the full mix position and shake the cartridge vigorously. If there is a rattling sound, the unit is functional and can be reinstalled following instructions given in note 1 above. If there is no rattle, replace valve cartridge RP46074.

5. Push disc until fully seated. See page 5 for more details.

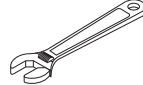
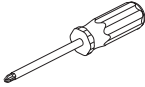
T60P Serie

Escriba aquí el número del modelo comprado.

Para instalación fácil de su llave Brizo® usted necesitará:

- LEER TODAS las instrucciones completamente antes de empezar
- LEER TODOS los avisos, cuidados, e información de mantenimiento.

Usted puede necesitar



Contenido:

Garantía	Página 2
Instrucciones de Instalación.....	Páginas 3 - 9
Mantenimiento.....	Página 10
Piezas de Repuesto.....	Páginas 11-19

ESTA VÁLVULA CUMPLE O EXCEDE LAS SIGUIENTES NORMAS:
ASME A112.18 1 / CSA B125.1 y ASSE 1016.

ADVERTENCIA: El instalador debe apostar este sistema/divisa para garantizar temperatura máximo y seguro. Cualquiera cambio en el ajuste puede subir la temperatura del agua de descarga sobre el límite considerado seguro y puede resultar en quemaduras de agua caliente.

AVISO PARA EL INSTALADOR: PRECAUCIÓN
– Como instalador de esta válvula, es su responsabilidad de **INSTALAR Y AJUSTAR** apropiadamente esta válvula como se describe en las instrucciones, por lo tanto, debe haber una persona para hacer los ajustes necesarios del pomo para la temperatura en el momento que se haga la instalación y pueda necesitar ajustes adicionales por los cambios estacionales de la temperatura del agua. **USTED DEBE** informarle al dueño/ usuario sobre este requisito siguiendo las instrucciones. Si usted o el dueño/usuario no están seguros como hacer estos ajustes apropiadamente, por favor refiérase al Páginas 5 & 6 y si todavía no está seguro, llámenos al 1-877-345-BRIZO (2749).

Después de hacer la instalación y el ajuste, usted puede agregarle a la etiqueta de aviso

proporcionada, su nombre, el nombre de la compañía y la fecha cuando ajustó y el pomo para la temperatura y aplicar o fijar la etiqueta al dorso de la puerta del gabinete más cercano y la etiqueta de aviso al calentador de agua. Deje la Hoja de Instrucciones para referencia del dueño/usuario.

ADVERTENCIA: Esta válvula termostática está diseñada para minimizar los efectos de los cambios de temperatura de agua por causa de los cambios de presión y de temperatura en el agua de entrada, comúnmente causados por lavadoras de platos, lavadoras de ropa, inodoros, y otros aparatos por el estilo. Puede no proporcionar protección de quemaduras de agua caliente cuando hay alguna falla de otros aparatos para el control de temperatura en otro sitio en el sistema de plomería. También no proporcionará protección si el pomo para el ajuste de la temperatura no está apropiadamente fijo o si cambia la temperatura del agua caliente después de hacer los ajustes o si los cambios del agua de entrada son por los cambios estacionales.

ADVERTENCIA: No instale un aparato de corte o cierre en cualquiera de las tomas de esta válvula. Cuando este tipo de aparato cierra el flujo de agua, puede hacer fallar la habilidad de la válvula de balancear las presiones del agua caliente y fría.

Garantía Limitada de las llaves de agua/grifos Brizo®

Piezas y Acabado

Todas las piezas (menos las piezas electrónicas y las pilas) y acabados de esta llave de agua - grifo Brizo® están garantizados al consumidor comprador original, de estar libres de defectos en materiales y mano de obra durante el tiempo que el comprador original sea dueño de la casa en la cual la llave de agua fue instalada por primera vez o, **para los usuarios comerciales, por cinco (5) años desde la fecha de compra.**

Piezas electrónicas y las baterías/pilas (si aplicable)

Las piezas electrónicas (excepto las baterías), sea el caso, de este grifo Brizo® están garantizadas al consumidor comprador original, de estar libres de defectos en materiales y mano de obra durante 5 años desde la fecha de compra o, para los usuarios comerciales, durante un año desde la fecha de compra. La garantía no cubre las baterías.

Brizo Kitchen & Bath Company reparará o reemplazará, SIN COSTO ALGUNO, durante el período de garantía aplicable, cualquier pieza o acabado que presente defectos en materiales y/o mano de obra bajo instalación, uso y servicio normal. Si la reparación o sustitución no es práctica, Brizo Kitchen & Bath Company podrá optar reintegrarle el precio de la compra a cambio de la devolución del producto. **Estos son sus únicos recursos.**

Brizo Kitchen & Bath Company recomienda que use un plomero profesional para todas las instalaciones y reparación. También recomienda que utilice sólo piezas de repuesto Brizo®.

Brizo Kitchen & Bath Company no será responsable de cualquier daño a la llave de agua/grifo resultante del uso indebido, abuso, negligencia o uso inapropiado o instalación realizada de forma incorrecta, mantenimiento o reparación, incluyendo el no seguir las instrucciones de cuidado y limpieza aplicables.

Las piezas de repuesto se pueden obtener llamando al número que figura más abajo o escribiendo a:

En los Estados Unidos y Mexico:

Brizo Kitchen & Bath Company
Product Service
55 E. 111th Street
Indianapolis, IN 46280
1-877-345-BRIZO (2749)
brizosupport@brizo.com

En Canadá:

Masco Canada Limited, Plumbing Group
Technical Service Centre
350 South Edgeware Road
St. Thomas, Ontario, Canada N5P 4L1
1-877-345-BRIZO (2749)
customerservice@mascocanada.com

La prueba de compra (recibo original de venta) del comprador original debe ponerse a la disposición de Brizo Kitchen & Bath Company para todos los reclamos de garantía a menos que el comprador haya registrado el producto con Brizo Kitchen & Bath Company. Esta garantía se aplica solamente a las llaves de agua/grifos Brizo® fabricadas después de 1 de enero de 1995 e instalados en los Estados Unidos de América, Canadá y México.

BRIZO KITCHEN & BATH COMPANY NO SERÁ RESPONSABLE POR DAÑOS ESPECIALES, INCIDENTALES O CONSECUENTES (INCLUYENDO CARGOS DE LABOR) YA SEAN RESULTANTES DEL INCUMPLIMIENTO DE CUALQUIER GARANTÍA EXPRESA O IMPLÍCITA DE LA LLAVE DE AGUA/GRIFO. Algunos estados/provincias no permiten la exclusión o limitación de daños especiales, incidentales o consecuentes, por lo que estas limitaciones y exclusiones pueden no aplicarle en su caso.

Esta garantía le otorga derechos legales especiales, y usted también puede tener otros derechos que varían de estado/provincia a estado/provincia.

Esta es la garantía exclusiva por escrito de Brizo Kitchen & Bath Company's, y la garantía no es transferible.

Si usted tiene alguna pregunta o inquietud acerca de nuestra garantía, por favor vea nuestra sección de Preguntas Frecuentes sobre la garantía www.Brizo.com, email us at brizosupport@brizo.com.

© 2018 Masco Corporación of Indiana

Limpieza y Cuidado de su Llave

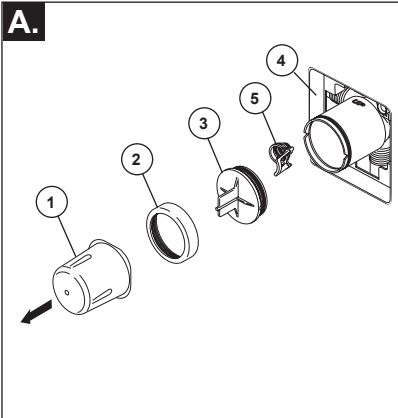
Tenga cuidado al ir a limpiar este producto. Aunque su acabado es sumamente durable, puede ser afectado por agentes de limpieza o para pulir abrasivos. Para limpiar

su llave, simplemente frótelas con un trapo húmedo y luego séquelas con una toalla suave.

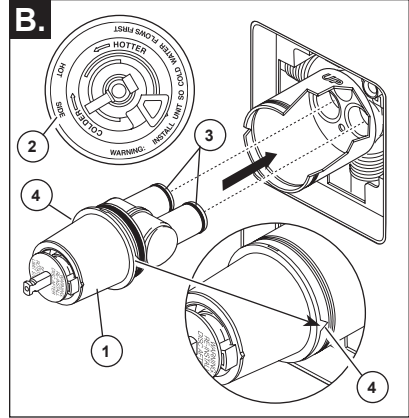
Instalación de la Serie T60P

1

Instalación del Cartucho



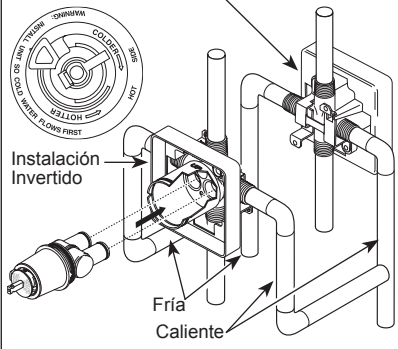
Cierre los suministros de agua. Quite la cubierta (1), la tuerca tapa (2) y la tapa de prueba (3). Si no es para instalar en pared delgada, puede quitar el protector (4) de yeso completo. Si la pantalla (5) está en lugar, quite antes de instalar el cartucho.



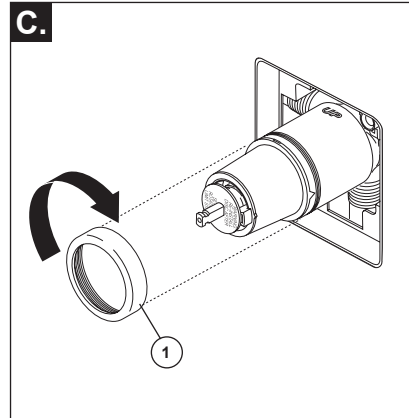
Gire el cartucho (1) de manera que las palabras 'hot side' (lado caliente) (2) aparezcan a la izquierda. Introduzca el cartucho en la válvula como se muestra. Asegúrese que los tubos del cartucho y los aros-O (3) estén apropiadamente sentados en los agujeros en la base del cuerpo de la válvula. Asegúrese que la parte dentada en la pieza encaje completamente en las muescas de éste (4).

Instalación de Espalda a Espalda

Instalación Normal (No se requerirá cambios)



En las instalaciones dorso con dorso o al reverso (caliente en la derecha y fría en la izquierda) introduzca el cartucho con la inscripción "hot side" a la derecha. Si usted no está instalando al reverso o dorso con dorso omita este paso y continúe con el paso 1C.

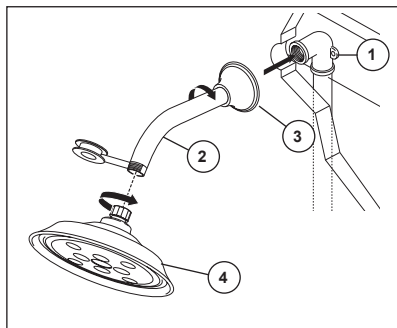


Deslice la tuerca tapa (1) sobre el cartucho y enrosque en el cuerpo de la válvula. Apriete a mano bien.

Instalación de la Serie T60P

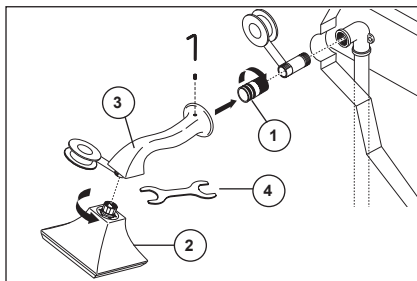
2

Instalación de la cabeza de la regadera y del surtidor de la bañera
(Para la instalación del surtidor para la bañera vea la guía de instalación proporcionada con su surtidor)



PARA LAS INSTALACIONES DE LAS CABEZAS DE REGADERA:

Conecte la toma de salida de agua superior (1) al brazo de la regadera (2) con los accesorios apropiados. Para prevenir daño al acabado del brazo de la regadera, introduzca el extremo que va hacia la pared del brazo de la regadera dentro del reborde (3) antes de atornillar el brazo en la conexión de la tubería vertical. Aplique cinta plomero a los enrosques de la tubería. No apriete demasiado la cabeza de la regadera.

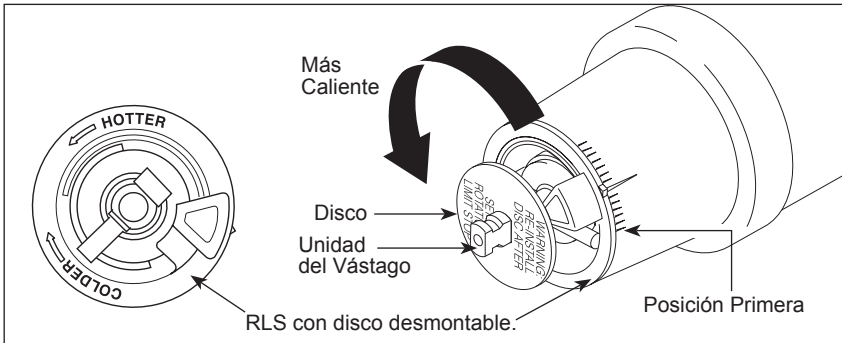


PARA LA INSTALACIÓN DE LA CABEZA ROCIADORA DE LA REGADERA RSVP® (RP48040), SOTRIA® (RP75722), VIRAGE® (RP62603) Y DEL BRAZO DE LA REGADERA:

Para extender la tubería que sobrepase la pared acabada de 3/8" a 1/2", instale un tubo de unión enroscado de 1/2". Aplique cinta de plomero a la parte enroscada del tubo de unión enroscado y atornille fijamente el adaptador de bronce (1) en la enterrosca. Aplique cinta de plomero al extremo de la tubería de salida del brazo de la regadera y atornille la cabeza de la regadera (2) en el brazo de la regadera (3), use la llave de tuerca proporcionada (4) para apretar fijamente. Inspeccione la posición del tornillo de ajuste sobre el brazo de la cabeza de la regadera (3) asegurándose que no está sobrepasando hasta dentro de la abertura donde pudiera interferir con el ensamble. Deslice el brazo de la regadera y el ensamble de la cabeza de la regadera sobre el adaptador y apriete el tornillo de ajuste contra el adaptador.

3

El Ajuste del Tope que Limita la Rotación – Identifique el tipo RSL desde las páginas 5-6.



IMPORTANTE:

El Ajuste del Tope que Limita la Rotación se usa para limitar la cantidad de agua caliente disponible de manera que, si ajustado apropiadamente, el usuario no se quemará si la manija se gira accidentalmente completamente a "hot" ("caliente") cuando una persona se está duchando o llenando la bañera. La primera posición permite la cantidad **MÍNIMA** de agua caliente mixta con la fría en el sistema. En la primera posición el agua estará lo más fría posible cuando la manija se gira completamente a caliente. Mientras que mueve el Ajuste del Tope que Limita la Rotación en dirección contrario a las manecillas del reloj, progresivamente aumentará el agua caliente en la mezcla más y más. La última posición a la izquierda es la de mayor cantidad de agua caliente en la mezcla, y tiene el mayor riesgo de lesión por quemadura si alguien accidentalmente abre la manija de la válvula completamente a la posición caliente mientras que se baña o llena la bañera.

ADVERTENCIA: En algunos casos, **ajustar el Ajuste del Tope que Limita la Rotación en la posición más caliente (completamente en el sentido contrario a la dirección de las manecillas del reloj) puede resultar en lesión por quemadura. Es necesario ajustar el Tope que Limita la Rotación de manera que el agua que sale de la válvula no queme o escalde al usuario cuando la manija de la válvula se gira al lado caliente.**

De acuerdo con la mayoría de los estándares de la industria, la temperatura máxima permisible del agua que sale es 120°F (Sus códigos locales de plomería pueden requerir una temperatura de agua menor de 120°F).

El Tope que Limita la Rotación puede requerir el ajuste estacional si la temperatura del agua cambia. Por ejemplo, durante el invierno, la

temperatura del agua fría es más fría que durante el verano resultando en temperaturas variadas en el agua de salida. Una temperatura de agua para un baño o ducha confortable típicamente es entre 90°F - 110°F.

Deje que el agua corra de manera que el agua fría esté lo más fría posible y la caliente esté lo más caliente posible. Coloque la manija en la espiga (vea la página 7, paso 4D) y gire la manija en dirección contraria a las manecillas del reloj hasta que la manija pare.

Coloque el termómetro en un vaso plástico y sosténgalo bajo el chorro de agua. Si la temperatura de agua está por encima de 120°F el tope que limita la rotación debe ajustarse otra vez moviéndolo en sentido de las manecillas del reloj para reducir la temperatura del agua de salida de la válvula a menos de 120°F o para que cumpla con los requisitos de sus códigos locales de plomería.

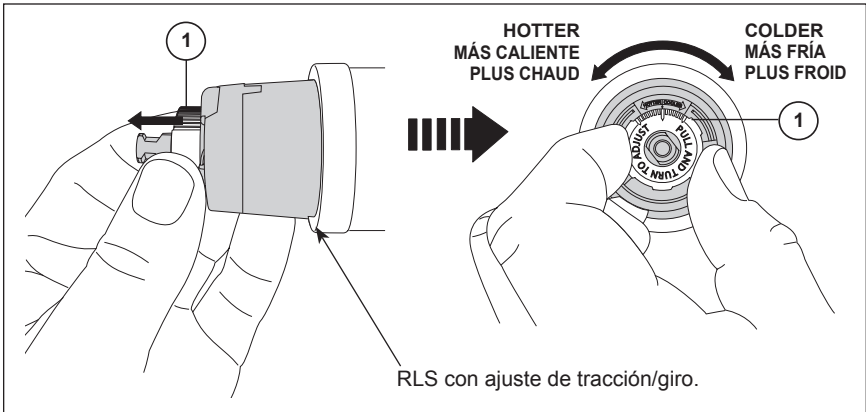
Para ajustar la temperatura del agua que sale de la válvula, hale el disco otra vez a la posición donde se puede remover el Tope del Límite Rotacional y reajuste el engranaje de los dientes a la posición para la temperatura deseada. Al mover en dirección de las manecillas del reloj reducirá la temperatura del agua de salida, y al contrario aumentará la temperatura del agua de salida. El cambio de temperatura por cada diente (muesca) puede ser de 4°F-16°F dependiendo de la condición del agua de entrada. Si es necesario repítalo.

Presione el disco hasta que está asentado completamente. **ADVERTENCIA:** Si no reinstala el Disco después de hacer el ajuste del Tope del Límite Rotacional pudiera escaldarse con agua demasiado caliente.

ASEGÚRESE QUE EL AGUA FRÍA FLUYA DE LA VÁLVULA PRIMERO. ASEGÚRESE QUE EL AGUA QUE FLUYE DE LA VÁLVULA EN LA POSICIÓN MÁS CALIENTE POSIBLE NO EXCEDA 120°F O EL MÁXIMO PERMITIDO POR SUS CÓDIGOS LOCALES DE PLOMERÍA.

3

El Ajuste del Tope que Limita la Rotación – Identifique el tipo RSL desde las páginas 5-6.



EL AJUSTE DEL TOPE QUE LIMITA LA ROTACIÓN:

IMPORTANTE: El Ajuste del Tope que Limita la Rotación se usa para limitar la cantidad de agua caliente disponible de manera que, si ajustado apropiadamente, Una lesión de escaldado es menos probable que se ocurra si la manija se gira accidentalmente completamente a "hot" ("caliente") cuando una persona se está duchando o llenando la bañera. La primera posición permite la cantidad **MINIMA** de agua caliente mixta con la fría en el sistema. En la primera posición el agua estará lo más fría posible cuando la manija se gira completamente a caliente. Mientras que mueve el Ajuste del Tope que Limita la Rotación en dirección contrario a las manecillas del reloj, progresivamente aumentará el agua caliente en la mezcla más y más. La última posición a la izquierda es la de mayor cantidad de agua caliente en la mezcla, y tiene el mayor riesgo de lesión por quemadura si alguien accidentalmente abre la manija de la válvula completamente a la posición caliente mientras que se baña o llena la bañera.

ADVERTENCIA: En algunos casos, ajustar el Ajuste del Tope que Limita la Rotación en la posición más caliente (completamente en el sentido contrario a la dirección de las manecillas del reloj) puede resultar en lesión por quemadura. Es necesario ajustar el Tope que Limita la Rotación de manera que el agua que sale de la válvula no queme o escalde al usuario cuando la manija de la válvula se gira al lado caliente.

- De acuerdo con la mayoría de los estándares de la industria, la temperatura máxima permisible del agua que sale es 120°F (Sus códigos locales de plomería pueden requerir una temperatura de agua menor de 120°F).
- El Tope que Limita la Rotación puede requerir el ajuste estacional si la temperatura del agua cambia. Por ejemplo, durante el invierno, la temperatura del agua fría es más fría

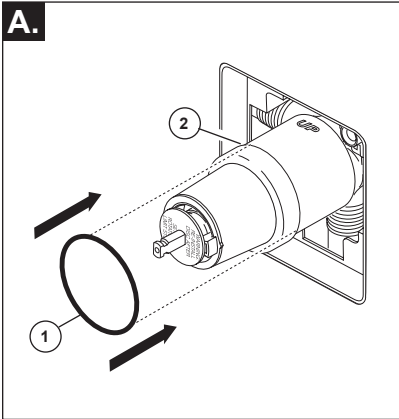
que durante el verano resultando en temperaturas variadas en el agua de salida. Una temperatura de agua para un baño o ducha confortable típicamente es entre 90°F - 110°F.

- Deje que el agua corra de manera que el agua fría esté lo más fría posible y la caliente esté lo más caliente posible. Coloque la manija en la espiga (vea la página 9, paso 4F) y gire la manija en dirección contraria a las manecillas del reloj hasta que la manija pare.
 - Coloque el termómetro en un vaso plástico y sosténgalo bajo el chorro de agua. Si la temperatura de agua está por encima de 120°F el tope que limita la rotación debe ajustarse otra vez moviéndolo en sentido de las manecillas del reloj para reducir la temperatura del agua de salida de la válvula a menos de 120°F o para que cumpla con los requisitos de sus códigos locales de plomería.
 - Para ajustar la temperatura del agua que sale de la válvula, Tíra la Parada de Limite Rotacional de color blanco hacia afuera y girarla. Al mover en dirección de las manecillas del reloj reducirá la temperatura del agua de salida, y al contrario aumentará la temperatura del agua de salida. El cambio de temperatura por cada diente (muesca) puede ser de 4°F-16°F dependiendo de la condición del agua de entrada. Si es necesario repítalo. Cuando haya terminado, asegúrese de que la Parada de Limite Rotacional esté completamente retraída a la posición sentada.
- ADVERTENCIA: No tome la Parada de Limite Rotacional aparte.**
- **ASEGÚRESE QUE EL AGUA FRÍA FLUYA DE LA VÁLVULA PRIMERO. ASEGÚRESE QUE EL AGUA QUE FLUYE DE LA VÁLVULA EN LA POSICIÓN MÁS CALIENTE POSIBLE NO EXCEDA 120°F O EL MÁXIMO PERMITIDO POR SUS CÓDIGOS LOCALES DE PLOMERÍA.**

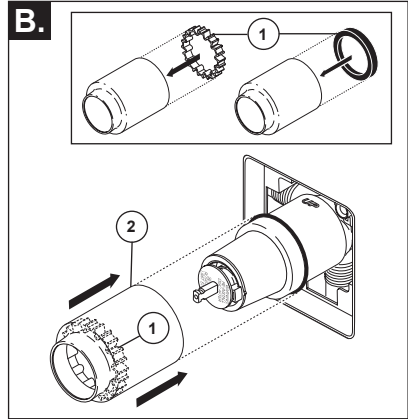
4

Instalación del herraje de la válvula

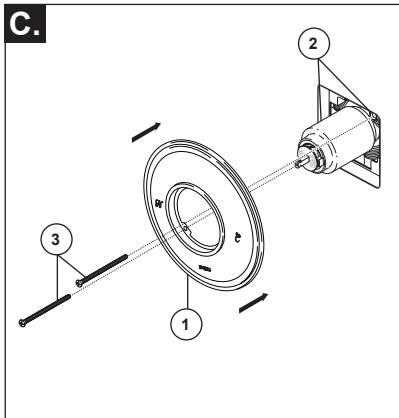
(Consulte la página 8 & 9 para obtener la instalación de la válvula de ajuste Siderna®)



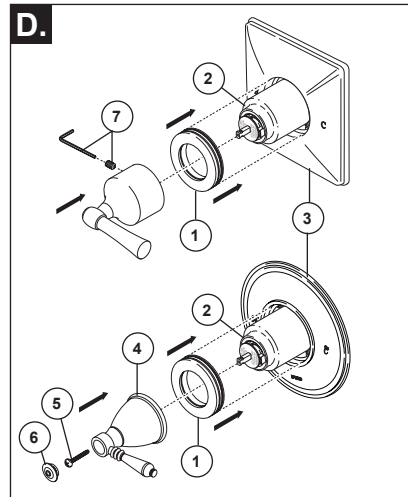
Deslice el aro O (1) sobre el cartucho y la tuerca tapa (2). El aro O, el cual funciona como un separador para estabilizar la manga, debe quedar apoyado en la tuerca tapa.



Si su modelo requiere un separador (1), insértelo en la manga (2) y empújelo hacia el frente. Deslice la manga sobre el cartucho, el cuerpo de la pieza y el aro O.



Fije la roseta con orificio (1) al soporte (2) usando los 2 tornillos suministrados (3). No apriete demasiado los tornillos de la roseta.



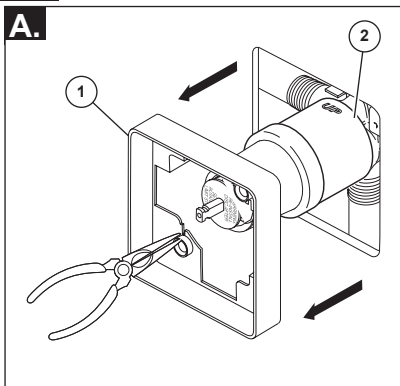
Deslice la argolla de accesorio (1) sobre la manga (2) e introdúzcalo en la chapa de cubierta (3). **Los modelos T60P210 y T60P410** – Fije la manija (4) en la espiga usando el tornillo (5) y el destornillador de cabeza Philips. Inserte el botón (6) en la manija. **Otros modelos** – Fije la manija en la espiga usando el tornillo de ajuste y la llave Allen (7).

Instalación de la Serie T60P

4

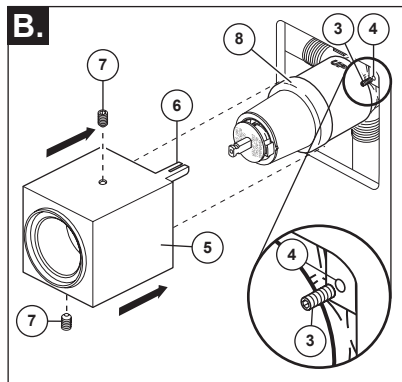
Instalación de los accesorios de la válvula Siderna® (T60P080)

A.



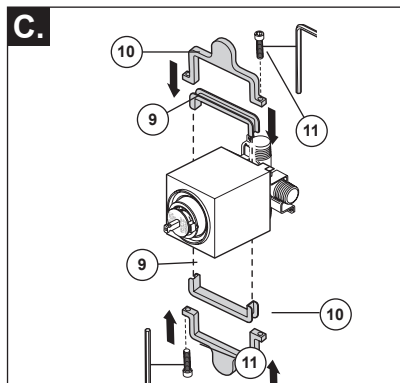
Retire el protector de yeso (1) de la tubería interna (2).

B.



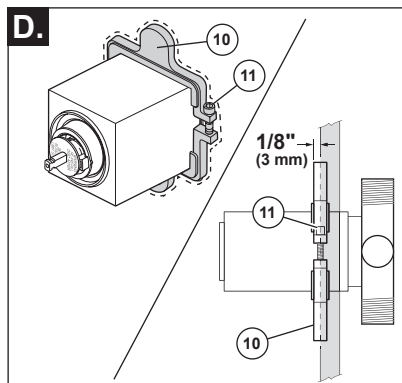
Con la llave Allen suministrada, instale ambos pasadores anti-rotacionales (3) en los agujeros (4) en el cuerpo de la válvula. **TENGA CUIDADO DE NO DEJAR CAER LOS PASADORES DETRÁS DE LA PARED.** Es importante que la tubería interna se instale en la pared lo más nivelada posible debido a la forma cuadrada de este producto. Deslice el accesorio del casquillo/manguito (5) sobre el cartucho y el casquete alineando las dos patas (6) de la manga sobre los pasadores anti-rotacionales (3). Si el ajuste no encuadra, puede intentar quitar un pasador y sujetar el casquillo de manera fija con los dos tornillos de fijación (7) suministrados. Asegúrese de que el casquillo quede completamente presionado hacia atrás de modo que las patas del casquillo queden asentadas contra el cuerpo de la válvula. Los tornillos de fijación (7) deben estar en una posición de manera que tengan contacto justo detrás de la tuerca tapa (8). Apriete los tornillos de fijación (7).

C.



Arme los dos casquillos/manguitos de montaje (9) y las dos placas de montaje (10). Deslice los conjuntos de placa de montaje sobre el casquillo/manguito de manera que las lengüetas/placas (10) estén en la parte superior e inferior del casquillo del accesorio, tal como se muestra. Enrosque los tornillos (11) en las placas de montaje sólo lo suficiente para montar juntas las dos partes. Deslice las placas de montaje otra vez contra la pared y termine de apretar los tornillos (11).

D.

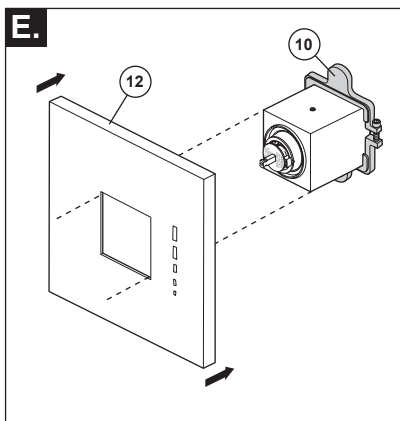


Usando las placas de montaje (10) como una guía, aumente el tamaño del agujero alrededor de la unidad de la tubería detrás de la pared, de manera que las placas pueden ser empujadas hasta 1/8" en la pared. Apriete los tornillos (11).

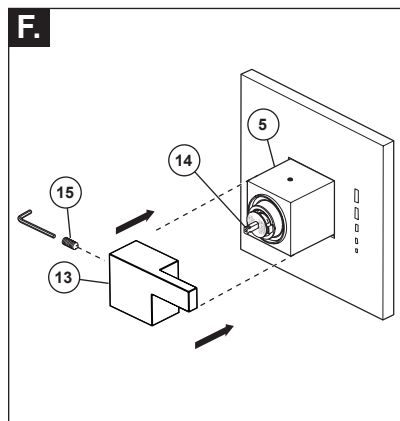
Instalación de la Serie T60P

4

Instalación de los accesorios de la válvula Siderna® (T60P080)



Coloque el agujero en el centro de la chapa de cubierta (12) sobre el casquillo/manguito de ajuste y empuje con cuidado de nuevo hacia las placas de montaje (10). Los imanes en la parte posterior de la chapa lo mantienen en su lugar.



Coloque la manija para el control de volumen (13) sobre la espiga de la válvula (14) y sobre el casquillo/manguito de ajuste (5). La palanca debe estar señalando en dirección horizontal hacia la posición del 3 en un reloj. Fije la manija con el tornillo de fijación (15).

Mantenimiento de la Serie T60P

La llave tiene fugas de agua en la salida de tina/cabeza deregadera–

CIERRE LOS SUMINISTROS DE AGUA.

Reemplace Asientos y Resortes–Equipo de Reparaciones RP4993 Verifica el condición de los anillos "O" más bajo y repongalos si será necesario RP14414. Vea Sugerencias Útiles 1, 2, y 3.

Si la fuga de agua persiste–

CIERRE LOS SUMINISTROS DE AGUA.

Reemplace el ensamble de cartucho de válvula RP46074. Vea Sugerencia Útiles 1, 2, 3 y 5.

No se puede mantener temperatura de agua constante:

Reemplace ensamble de cartucho de válvula RP46074 o sigue las instrucciones en Sugerencias Útiles 1, 2, 4 y 5.

Sugerencia Útiles:

1. Antes de remover el ensamble del cartucho de la válvula para hacerle cualquier servicio, fíjese en la posición del tope del límite rotacional ubicado en la tapa. Siempre se debe reponer el ensamble de cartucho de válvula en el mismo posición. **TENGA CUIDADO** después de cumplir el instalación dele vuelta a la válvula para asegurar que **AGUA FRIA SALGA PRIMERO**.
2. Para quitar el cartucho de válvula del cuerpo, cierre los suministros de agua y quite el maneral y bonete. No se debe quitar el cartucho de válvula del

cuerpo con atomillador. Ponga el maneral encima el vástago y giralo en el sentido contrario al de las agujas del reloj aproximado 1/4 vuelta. Levanta el cartucho de válvula aguera el cuerpo.

3. Para quitar los asientos y resortes, quite el cartucho de válvula, (vea arriba). Separa ensamble de botón de ensamble de caja girando el botón 90° en el sentido contrario al de las agujas del reloj. Separa ensambles de botón y caja. Quite los asientos y resortes y ponga los asientos y resortes nuevos. Ponga primero el diámetro mas grande del resorte adentro la bolsa del asiento y luego apreta el remate ahusado del sello hacia arriba el resorte. Reensambla el cartucho de válvula y repongalo en el cuerpo siguiendo las instrucciones en nota 1 arriba.

4. Si la agua en su area contiene cal, orín, arena o otros contaminamientos, su válvula de equilibrio de presión requerá inspecciones periódico. La frecuencia de los inspecciones depende en el tamaño de contaminamientos en la agua. Para inspectar el cartucho, quite el cartucho, sigue los pasos apuntado en nota 1 arriba. Dele vuelta al válvula hasta el posición completamente mixto y sacude el cartucho riguroso. Si hay traqueteo, funciona el unidad y se puede reinstalar siguiendo nota 1 de arriba. Si no hay traqueteo, reemplace el ensamble de cartucho de válvula RP46074

5. Presione el disco hasta que está asentado completamente. Vea la página 5 para más detalles.

T60P Série

Inscrivez le numéro de modèle ici.

Pour installer votre robinet Brizo® facilement, vous devez:

- LIRE TOUTES les instructions avant de débiter.
- LIRE TOUS les avertissements ainsi que toutes les instructions de nettoyage et d'entretien.

Articles dont vous pouvez avoir besoin:

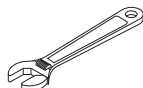
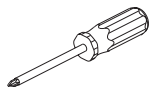


Table des matières

Garantie	Page 2
Instructions d'installation	Pages 3 - 9
Maintenance	Page 10
Pièces de rechange	Pages 11-19

Ce robinet satisfait aux exigences des normes ASME A112.18.1/CSA B125.1 et ASSE 1016 ou les surpasse.

ATTENTION: L'installateur doit régler l'appareil pour que la température maximale de l'eau chaude soit sans danger. Toute modification des réglages peut entraîner une élévation de la température à la sortie du robinet au delà de la température sans danger et pourrait causer un échaudage.

AVIS À L'INSTALLATEUR : ATTENTION! – En qualité d'installateur, vous êtes tenu d'INSTALLER et de RÉGLER ce robinet conformément aux instructions. Ce robinet ne s'adapte pas automatiquement aux fluctuations de la température de l'eau d'alimentation. Par conséquent, il faut régler le bouton de température au moment de l'installation et il peut être nécessaire de faire de nouveaux réglages par la suite en raison des fluctuations saisonnières de la température de l'eau. VOUS DEVEZ informer le propriétaire ou l'utilisateur de cette exigence. En cas de doute quant à la marche à suivre pour faire ces réglages, veuillez consulter pages 5 & 6 si un doute persiste, et si cette incertitude persiste, appelez-nous au 1-877-345-BRIZO (2749).

Après avoir terminé l'installation et le réglage, vous devez inscrire, sur l'étiquette de mise en garde fournie, votre nom, le nom de votre entreprise et la

date à laquelle vous avez réglé le bouton de température, puis fixer l'étiquette à l'endos de la porte de la coffreuse. Vous devez également fixer l'étiquette d'avertissement au chauffe-eau. **Veuillez laisser ce feuillet d'instructions au propriétaire ou à l'utilisateur pour qu'il puisse le consulter au besoin.**

MISE EN GARDE – Ce robinet thermostatique pour baignoire est conçu pour limiter les effets des fluctuations de température de l'eau causées par les variations de la pression et la température attribuables au fonctionnement d'un lave-vaisselle, d'une machine à laver, d'un cabinet d'aisances ou d'un autre appareil qui consomme de l'eau. Il peut ne pas protéger l'utilisateur contre l'échaudage en cas de défectuosité d'un autre dispositif de régulation de la température, si de haute température ou du bouton de température est mauvais, si la température de l'eau chaude a été modifiée après que les réglages ont été effectués ou si la température de l'eau d'alimentation a changé en raison du changement de saison.

MISE EN GARDE – N'installez pas de dispositif d'arrêt sur une sortie quelconque de ce robinet. En interrompant l'écoulement de l'eau, ce dispositif peut empêcher le robinet d'équilibrer les pressions d'eau chaude et d'eau froide.

Garantie limitée sur les robinets Brizo®

Pièces et finis

Toutes les pièces et tous les finis de ce robinet Brizo® sont protégés contre les défauts du matériau et les vices de fabrication par une garantie qui est consentie au premier acheteur et qui demeure valide tant que celui-ci demeure propriétaire de la maison dans laquelle l'accessoire a été installé. **Dans le cas d'une utilisation commerciale, la garantie est de 5 ans à compter de la date d'achat.**

Composants électroniques et piles (le cas échéant)

Si ce robinet Brizo® comporte des composants électroniques, ces composants (à l'exception des piles) sont protégés contre les défauts du matériau et les vices de fabrication par une garantie consentie au premier acheteur qui est d'une durée de 5 ans à compter de la date d'achat. Dans le cas d'une utilisation commerciale, la garantie est d'un an à compter de la date d'achat. Aucune garantie ne couvre les piles.

Pendant la période de garantie applicable, Brizo Kitchen & Bath Company réparera ou remplacera GRATUITEMENT toute pièce qui présentera une défektivité de matériau et/ou un vice de fabrication pour autant que le produit ait été installé, utilisé et entretenu normalement. S'il est impossible de réparer ou de remplacer le produit, Brizo Kitchen & Bath Company pourra rembourser le prix d'achat en échange du produit retourné. **Il s'agit de vos seuls recours.**

Brizo Kitchen & Bath Company recommande de confier l'installation et la réparation à un plombier professionnel. Nous vous recommandons également d'utiliser uniquement des pièces de rechange d'origine Brizo®.

Brizo Kitchen & Bath Company se dégage de toute responsabilité à l'égard de toute détérioration du produit résultant d'une usure raisonnable et des dommages causés par un mauvais usage, un usage abusif, la négligence ou l'utilisation d'une méthode d'installation, de maintenance ou de réparation incorrecte ou inadéquate, y compris les dommages résultant du non-respect des instructions de nettoyage et d'entretien applicables.

Vous pouvez obtenir des pièces de rechange en appelant au numéro de téléphone ci-dessous ou en écrivant à :

Aux États-Unis et au Mexique:

Brizo Kitchen & Bath Company
Product Service
55 E. 111th Street
Indianapolis, IN 46280
1-877-345-BRIZO (2749)
brizosupport@brizo.com

Au Canada:

Masco Canada Limited, Groupe plomberie
Centre de services techniques
350 South Edgeware Road
St. Thomas, Ontario, Canada N5P 4L1
1-877-345-BRIZO (2749)
customerservice@mascoacanada.com

La preuve d'achat (reçu original) du premier acheteur doit être présentée à Brizo Kitchen & Bath Company pour toutes les demandes en vertu de la garantie, sauf si le produit a été enregistré auprès de Brizo Kitchen & Bath Company. La présente garantie s'applique uniquement aux accessoires Brizo® installés aux États-Unis d'Amérique, au Canada et au Mexique.

BRIZO KITCHEN & BATH COMPANY SE DÉGAGE DE TOUTE RESPONSABILITÉ À L'ÉGARD DES DOMMAGES PARTICULIERS, CONSÉCUTIFS ET INDIRECTS (Y COMPRIS LES FRAIS DE MAIN-D'ŒUVRE) QUI DÉCOULENT D'UNE RUPTURE D'UNE GARANTIE IMPLICITE OU EXPLICITE DU ROBINET. Dans les États ou les provinces où il est interdit d'exclure ou de limiter les dommages particuliers, consécutifs ou indirects, les exclusions ou les limites susmentionnées ne s'appliquent pas. La présente garantie vous procure des droits particuliers reconnus par la loi. Vous pouvez avoir d'autres droits qui varient selon l'État ou la province.

La présente garantie écrite est la seule garantie offerte par Brizo Kitchen & Bath Company et elle n'est pas transférable.

Si vous avez des questions ou des préoccupations en ce qui concerne notre garantie, veuillez consulter la page Warranty FAQs à www.Brizo.com, nous faire parvenir un courriel à brizosupport@brizo.com ou nous appeler au numéro applicable.

© 2018 Division de Masco Indiana

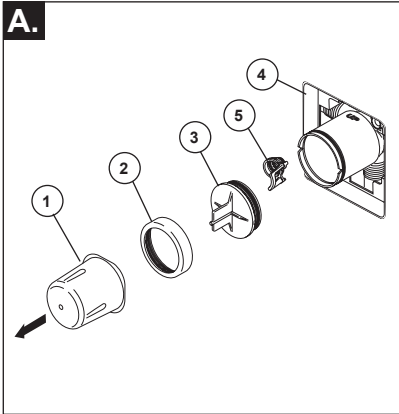
Instructions de nettoyage

Il faut le nettoyer avec soin. Même si son fini est extrêmement durable, il peut être abîmé par des produits fortement abrasifs ou des produits de polissage. Il faut

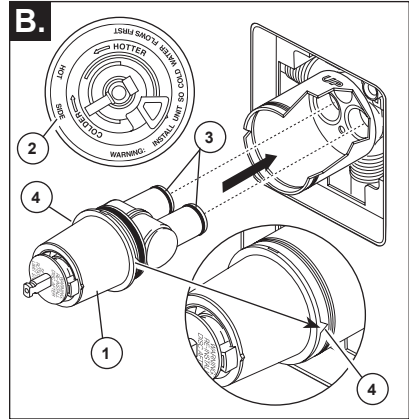
simplement le frotter doucement avec un chiffon humide et le sécher à l'aide d'un chiffon doux.

1

Installation de la cartouche



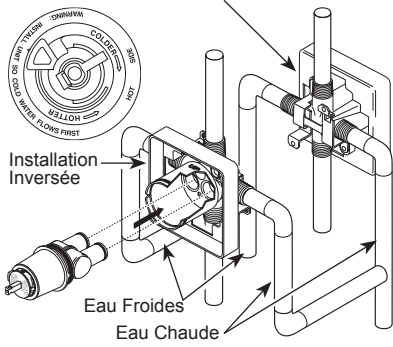
Interrompez l'arrivée d'eau. Enlevez le couvercle (1), l'écrou à portée sphérique (2) et le capuchon d'essai (3) du corps. Si vous n'installez pas l'appareil dans une paroi mince, vous pouvez retirer le protecteur (4) complètement. Si l'écran (5) est en place, enlevez avant d'installer la cartouche.



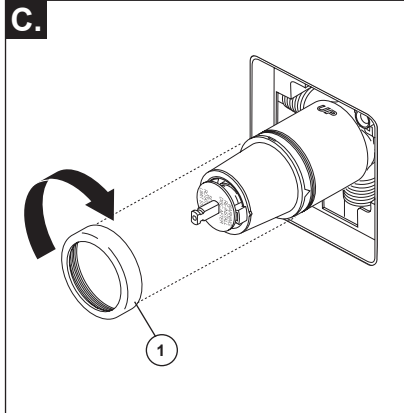
Tournez la cartouche (1) de sorte que la mention « hot side » (2) se trouve du côté gauche. Introduisez la cartouche dans le corps de la soupape comme le montre la figure. Assurez-vous que les tubes et les joints toriques (3) de la cartouche sont bien calés à la base du corps. Assurez-vous que les ergots sur le corps sont parfaitement engagés dans les rainures du corps (4).

Installation dos à dos

Installation normale (Non modifiée)



Dans le cas d'une installation dos à dos ou inversée (eau chaude à droite et eau froide à gauche), introduisez la cartouche de sorte que la mention « hot side » se trouve du côté droit. S'il ne s'agit pas d'une installation dos à dos ou inversée, sautez la présente étape et passez à l'étape 1C.



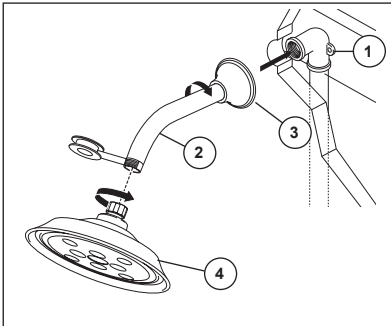
Faites glisser l'écrou à portée sphérique (1) sur la cartouche et vissez-le sur le corps. Serrez à la main fermement.

Installation – Série T60P

2

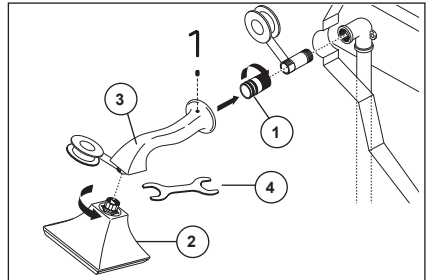
Installation de la pomme de douche et du bec de baignoire

(Pour l'installation du bec de baignoire, consultez le guide d'installation fourni avec votre bec de baignoire.)



INSTALLATION DE LA POMME DE DOUCHE :

Raccordez la sortie supérieure (1) au tuyau d'alimentation de la pomme de douche (2) à l'aide des raccords appropriés. Pour éviter d'abîmer le fini du tuyau de la pomme de douche, introduisez le côté « mur » de celui-ci dans la collerette (3) avant de le visser dans le raccord du tuyau vertical. Appliquez du ruban de plomberie sur les filets. Vissez la pomme de douche (4) sur le tuyau. Appliquez du ruban de plomberie sur les filets. Prenez garde de serrer la pomme de douche excessivement.

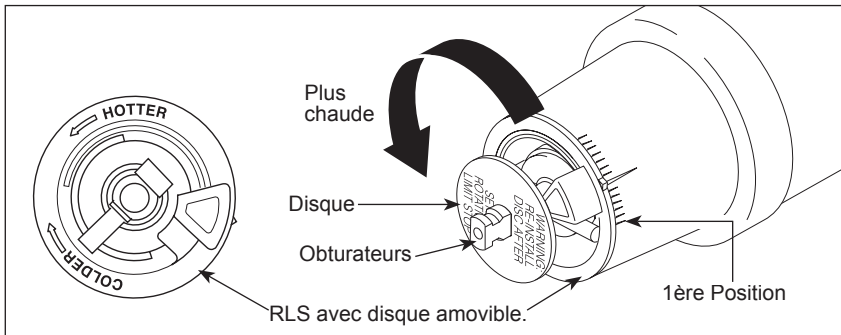


INSTALLATION DU BRAS DE DOUCHE ET DE LA POMME DE DOUCHE RSVP® (RP48040), SOTRIA® (RP75722), VIRAGE® (RP62603):

Installez un manchon fileté 1/2 po de manière qu'il présente une saillie de 3/8 po à 1/2 po par rapport à la surface finie du mur. Appliquez du ruban de plomberie sur le filetage à la sortie du bras de douche et vissez la pomme de douche (2) sur le bras de douche (3) au moyen de la clé (4) fournie. Serrez fermement. Vérifiez la position de la vis de calage sur le dessus du bras de douche (3) en vous assurant qu'elle n'est pas coincée dans l'ouverture à l'intérieur où elle pourrait nuire. Faites glisser le bras de douche et la pomme de douche sur l'adaptateur et vissez-les contre l'adaptateur.

3

Réglage de la butée anti-échaudage– Identifier de Limite de Rotation type RSL des pages 5-6.



IMPORTANT :

La butée antiéchaudage sert à limiter la quantité d'eau chaude disponible de sorte que l'utilisateur ne risque pas d'être ébouillanté si la manette est amenée à l'extrémité de la plage du côté « Eau chaude » par inadvertance alors que quelqu'un se trouve sous la douche ou dans la baignoire. La première position est celle qui laisse passer le MOINS d'eau chaude à mélanger avec l'eau froide. À la première position, l'eau est aussi froide que possible alors que la manette se trouve à l'extrémité de la plage du côté « Eau chaude ». En tournant la butée antiéchaudage, vous ajoutez progressivement de plus en plus d'eau chaude au mélange. La dernière position à gauche est celle qui laisse passer le plus d'eau chaude et le risque d'ébouillantage est plus élevé si quelqu'un amène la manette à l'extrémité de la plage du côté « Eau chaude » par inadvertance alors que quelqu'un d'autre se trouve sous la douche ou dans la baignoire.

MISE EN GARDE : Dans certains cas, l'ébouillantage est possible si la butée antiéchaudage se trouve à la position la plus chaude (à l'extrémité de la plage dans le sens antihoraire). Il faut régler la butée antiéchaudage de manière que l'eau s'écoulant du robinet ne puisse causer de brûlures à l'utilisateur alors que la manette est à la position « Eau chaude ».

- Selon la plupart des normes en vigueur dans l'industrie, la température de l'eau à la sortie du robinet ne doit pas dépasser 120 °F (certains codes de plomberie peuvent prescrire une température inférieure à cette valeur).

- La butée antiéchaudage peut devoir être réglée à chaque saison si la température de l'eau d'alimentation change. Par exemple, la température de l'eau froide est plus basse en hiver qu'en été, ce qui peut entraîner une

variation de la température à la sortie du robinet. La température idéale pour la douche ou le bain se situe généralement entre 90 °F - 110 °F.

- Faites couler l'eau de sorte qu'elle soit aussi froide que possible et aussi chaude que possible. Placez ensuite la manette sur la tige (reportez-vous à la page 7, étape 4D) et tournez la manette dans le sens antihoraire jusqu'à l'extrémité de la plage.
- Placez un thermomètre dans un gobelet en plastique et mettez celui-ci sous le jet d'eau. Si la température de l'eau est supérieure à 120°F, tournez la butée antiéchaudage dans le sens horaire pour abaisser la température de l'eau à la sortie du robinet sous 120°F ou à une valeur conforme aux exigences du code de plomberie de votre région.

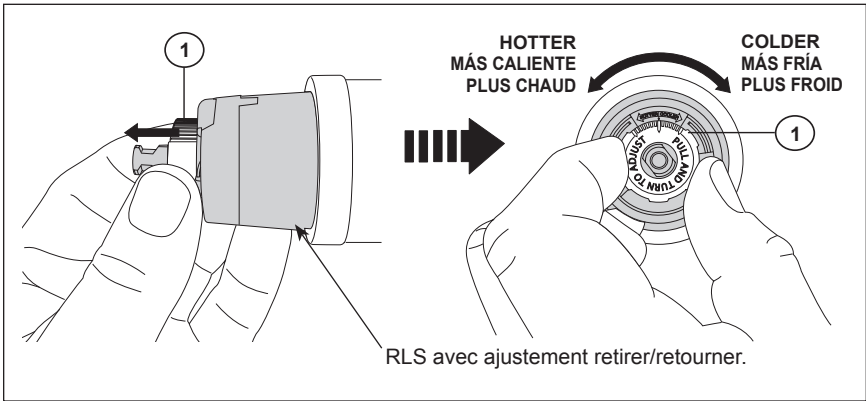
- Pour régler la température de l'eau qui s'écoule de la soupape, amenez le disque dans une position où il est possible d'enlever la butée de température et engagez les dents dans les encoches qui correspondent à la température désirée. La température diminue dans le sens horaire et augmente dans le sens antihoraire. La variation de température est de 4 à 16 °F par cran, selon la température de l'eau d'alimentation. Refaites le réglage au besoin. Remettez le disque jusqu'à ce qu'il soit entièrement assis.

MISE EN GARDE : Il y a un risque d'ébouillantage si on omet de réinstaller le disque après avoir réglé la butée de température.

- ASSUREZ-VOUS QUE L'EAU FROIDE S'ÉCOULE DE LA SOUPAPE EN PREMIER. ASSUREZ-VOUS QUE LA TEMPÉRATURE DE L'EAU NE PEUT DÉPASSER 120 °F OU LA VALEUR MAXIMALE AUTORISÉE PAR LE CODE DE PLOMBERIE DE VOTRE RÉGION.

3

Réglage de la butée anti-échaudage– Identifier de Limite de Rotation type RSL des pages 5-6.



RÉGLAGE DE LA BUTÉE ANTI-ÉCHAUDAGE

IMPORTANT : La butée de température maximale sert à limiter la quantité d'eau très chaude disponible. Ainsi, pour autant qu'elle soit réglée correctement, les risques d'ébullition sont moins grands si la personne qui utilise la douche ou la baignoire ou quelqu'un d'autre tourne la manette jusqu'à l'extrémité de la plage d'eau chaude par inadvertance. La première position est celle qui laisse passer le MOINS d'eau très chaude dans le mélange. Si la butée de température maximale est réglée à la première position, l'eau est aussi froide qu'elle peut l'être lorsque vous tournez la manette jusqu'à l'extrémité de la plage d'eau chaude. A mesure que vous déplacez la butée de température maximale dans le sens inverse à celui des aiguilles d'une montre, vous obtenez de plus en plus d'eau très chaude dans le mélange. La dernière position vers la gauche est celle qui laisse passer le plus d'eau très chaude dans le mélange et celle qui présente le plus grand risque d'ébullition si la personne qui utilise la douche ou la baignoire ou quelqu'un d'autre tourne la manette jusqu'à l'extrémité de la plage d'eau chaude par inadvertance.

AVERTISSEMENT : Dans certaines circonstances, le fait de régler la butée de température maximale à la position la plus chaude (position extrême dans le sens inverse à celui des aiguilles d'une montre) peut occasionner l'ébullition. Il est essentiel de régler la butée de température maximale de manière que l'eau qui s'écoule du robinet ne puisse ébullier l'utilisateur lorsque lui ou quelqu'un d'autre tourne la manette du robinet jusqu'à l'extrémité de la plage d'eau chaude.

- Selon la majorité des normes de l'industrie, la température maximale de l'eau s'écoulant du robinet ne doit pas dépasser 120 °F (49 °C) (le code de plomberie de votre région peut exiger une température inférieure à 120 °F).
- La butée de température maximale peut devoir être réglée de nouveau si la température de

l'eau d'alimentation varie selon les saisons. À titre d'exemple, pendant l'hiver, la température de l'eau froide est plus basse que pendant l'été, ce qui peut influencer sur la température de l'eau à la sortie du robinet. La température de l'eau pour un bain ou une douche confortable se situe généralement entre 90 °F et 110 °F (32 °C - 43 °C).

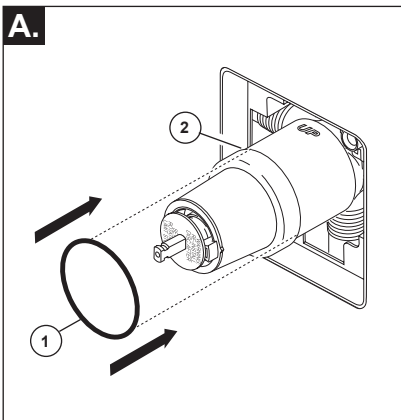
- Laissez couler l'eau jusqu'à ce que l'eau froide soit aussi froide que possible et que l'eau chaude soit aussi chaude que possible. Placez la manette sur la tige (consultez l'étape 4F à la page 9) et tournez la manette dans le sens antihoraire jusqu'à ce qu'elle s'arrête.
 - Placez un thermomètre dans un gobelet en plastique et tenez le gobelet sous le jet d'eau. Si la température de l'eau est supérieure à 120 °F (49 °C), vous devez régler la butée de température maximale de manière que la température de l'eau qui s'écoule du robinet soit inférieure à 120 °F ou qu'elle
 - Pour régler la température de l'eau qui sort du robinet, tirez la butée de température maximale blanche (1) vers l'extérieur. Tournez la butée dans le sens des aiguilles d'une montre pour diminuer la température de l'eau à la sortie du robinet et dans le sens inverse à celui des aiguilles d'une montre pour accroître la température. Le changement de température par dent (cran) est de 4 °F à 16 °F (2 °C - 9 °C) selon la température de l'eau d'alimentation. Une fois que vous avez terminé, assurez-vous que la butée retourne à sa position d'origine.
- AVERTISSEMENT : Ne démontez pas la butée de température maximale.**
- ASSUREZ-VOUS QUE DE L'EAU FROIDE S'ÉCOULE DU ROBINET EN PREMIER. ASSUREZ-VOUS QUE LA TEMPÉRATURE DE L'EAU LA PLUS CHAUDE POSSIBLE QUI S'ÉCOULE DU ROBINET NE DÉPASSE PAS 120 °F (49 °C) OU LE MAXIMUM AUTORISÉ PAR LE CODE DE PLOMBERIE DE VOTRE RÉGION.

Installation – Série T60P

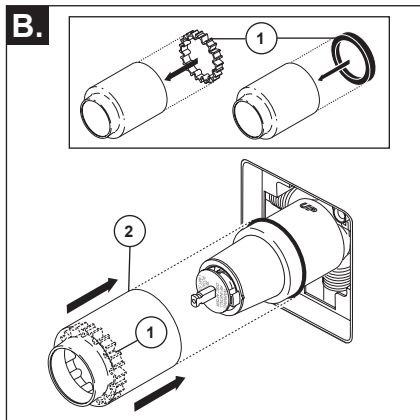
4

Installation des pièces de finition du robinet

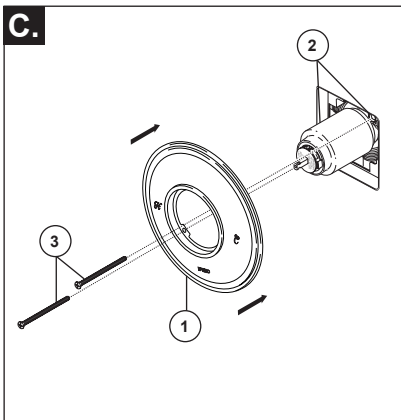
(Consultez les instructions d'installation des pièces de finition du robinet Siderna® à la page 8 & 9.)



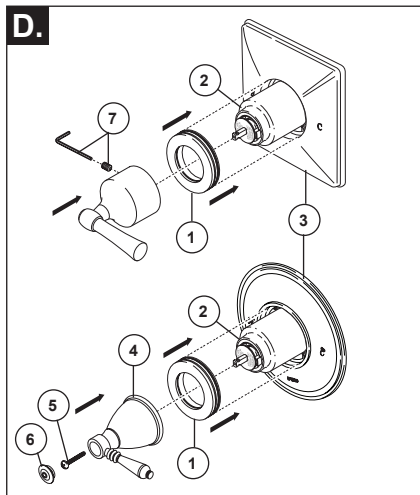
Faites glisser le joint torique (1) sur la cartouche et l'écrin à portée sphérique (2). Le joint sert de pièce d'espacement et il stabilise le manchon; il doit se trouver derrière l'écrin à portée sphérique.



Si le modèle que vous installez nécessite une pièce d'espacement (1), introduisez-la dans le manchon (2) et poussez-la vers l'avant. Faites glisser le manchon sur la cartouche, le corps et le joint torique.



Fixez la rosace (1) sur le support (2) à l'aide des 2 vis fournies (3). Prenez garde de serrer les vis de la rosace excessivement.



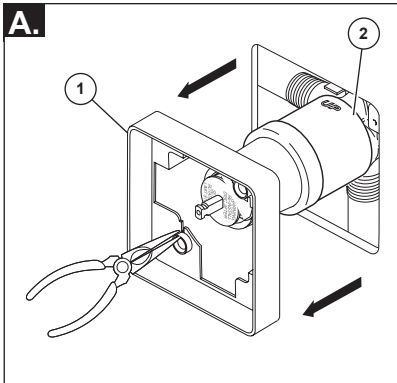
Glissez l'anneau de finition (1) sur le manchon de finition (2) et introduisez-les dans la plaque de finition (3). **Modèles T60P210 et T60P410 :** Fixez la manette (4) sur la tige à l'aide de la vis (5) et d'un tournevis à pointe cruciforme (Phillips). Introduisez le bouton (6) dans la manette. **Autres modèles :** Fixez la manette sur la tige à l'aide de la vis de calage et d'une clé Allen (7).

Installation – Série T60P

4

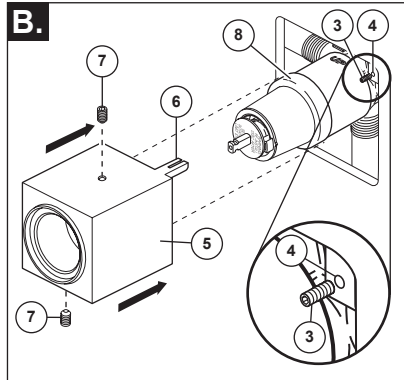
Installation des pièces de finition du robinet Siderna® (T60P080)

A.



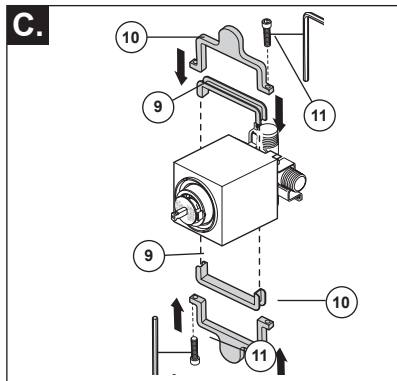
Retirez le protecteur (1) du corps de robinetterie (2).

B.



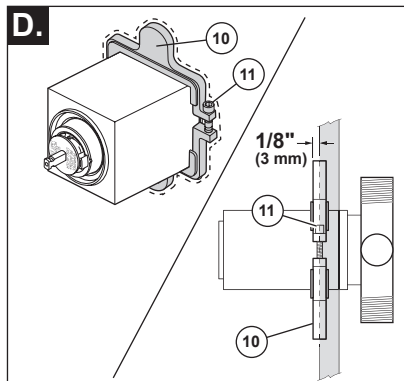
À l'aide de la clé Allen fournie, installez les deux axes antirotation (3) dans les trous (4) du corps de soupape. **PRENEZ GARDE DE LAISSER TOMBER LES AXES DERRIÈRE LE MUR.** Il est important que le corps de robinetterie monté dans le mur soit de niveau en raison de la forme carrée du produit. Glissez le manchon de finition (5) sur la cartouche et le chapeau en prenant soin d'aligner les deux pattes (6) du manchon sur les axes antirotation (3). Si la finition n'est pas d'équerre, vous pouvez essayer d'enlever un axe et d'immobiliser le manchon avec les deux vis de calage (7) fournies. Prenez soin de bien enfoncer le manchon pour que ses pattes s'appuient contre le corps de soupape. Les vis de calage (7) doivent simplement s'appuyer légèrement contre l'arrière de l'écrou-chapeau (8). Serrez les vis de calage (7).

C.



Assemblez les deux manchons de montage (9) et les deux plaques de montage (10). Glissez les plaques de montage sur le manchon de finition de sorte que les plaques et leurs pattes (10) se trouvent au haut et au bas du manchon de finition comme le montre la figure. Vissez les vis (11) dans les plaques de montage juste assez pour maintenir les deux côtés ensemble. Glissez les deux plaques de montage contre le mur et finissez de serrer les vis (11).

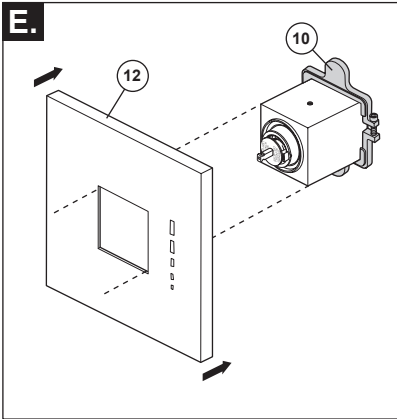
D.



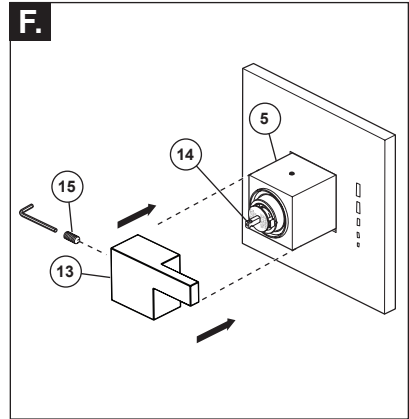
En vous servant des plaques de montage (10) pour vous guider, agrandissez le trou autour du corps de robinetterie pour pouvoir enfoncer les plaques d'au plus 1/8 po dans le mur. Serrez les vis (11).

4

Siderna® Valve Trim Installation (T60P080)



Placez la plaque de finition (12) de manière à en faire correspondre le trou au centre avec le manchon de finition et poussez-la contre les plaques de montage (10). Les aimants à l'arrière de la plaque de finition la maintiendront en place.



Placez la manette de réglage de débit (13) sur la tige de la soupape (14) et sur le manchon de finition (5). Le levier doit être orienté à l'horizontale (3 heures). Immobilisez la manette à l'aide de la vis de calage (15).

Le robinet fuit par le bec ou la pomme de douche. COUPER L'EAU.

Remplacer les sièges et les ressorts (kit de réparation RP4993. Vérifier l'état des joints toriques inférieurs et remplacer ceux-ci au besoin (RP14414). Voir les conseils 1, 2, et 3.

Si la fuite persiste, COUPER L'EAU.

Remplacer la cartouche RP46074. Voir les conseils 1, 2, 3 et 5.

La température de l'eau n'est pas constante.

Remplacer la cartouche RP46074 ou suivre les instructions des conseils 1, 2, 4 et 5.

Conseils:

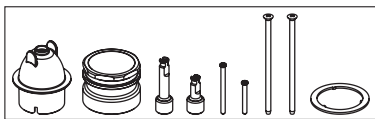
1. Avant d'enlever la cartouche de la soupape aux fins d'entretien, prenez note de la position de la butée de température maximale sur le chapeau. La cartouche doit toujours être reposée dans la même position. **NE PAS PRENDRE DE RISQUES INUTILEMENT.** Une fois l'installation terminée, ouvrir le robinet pour s'assurer que **L'EAU FROIDE S'ÉCOULE EN PREMIER.**
2. Pour déposer la cartouche du corps, couper l'eau, puis retirer la poignée et le chapeau fileté. Ne pas utiliser un tournevis comme levier pour extraire la cartouche. Placer la poignée sur la tige et la tourner dans le sens antihoraire d'environ 1/4 de tour après

contact des butées. Soulever la cartouche pour la retirer du corps.

3. Pour déposer les sièges et les ressorts, enlever la cartouche. Séparer la soupape du boîtier en la tournant de 90° degrés dans le sens antihoraire. Écarter ensuite la soupape du boîtier. Enlever les sièges et les ressorts, puis les reposer. Placer d'abord l'extrémité du ressort du plus grand diamètre dans le logement du siège, puis abaisser l'extrémité conique du siège sur le ressort. Remonter la cartouche et la reposer dans le corps conformément aux instructions figurant en "1" ci-dessus.

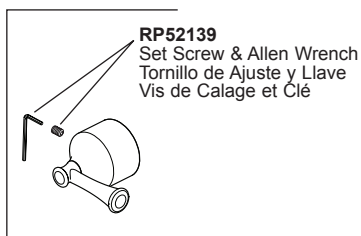
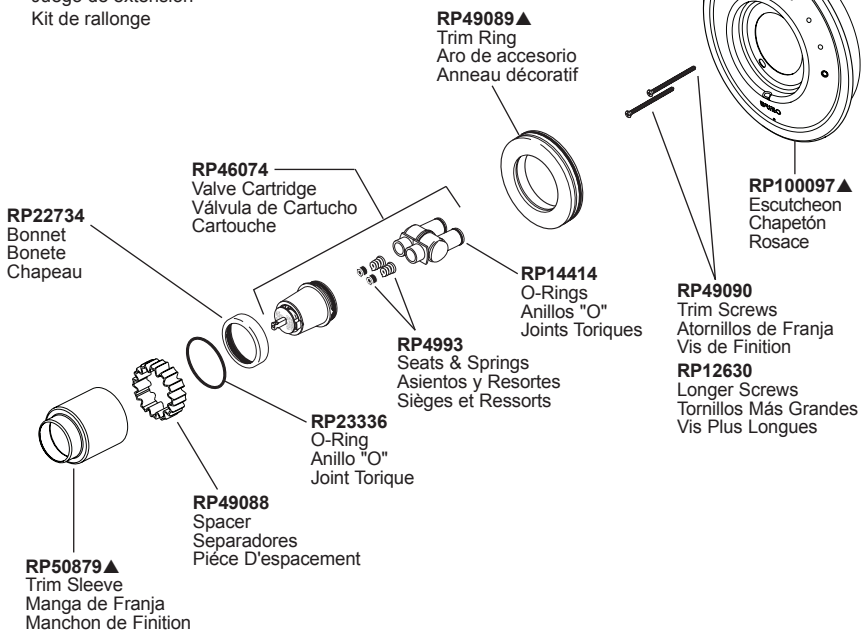
4. Si l'eau d'alimentation du robinet à équilibrage de pression renferme du calcaire, du fer, du sable ou d'autres corps étrangers, celui-ci doit faire l'objet d'inspections périodiques. La fréquence des inspections dépend de la quantité de corps étrangers dans l'eau. Pour inspecter la cartouche, la déposer et suivre les instructions de la note 1 ci-dessus. Ouvrir la soupape en position de plein mélange et secouer la cartouche vigoureusement. Si des cliquetis se font entendre, le composant est en bon état et peut être reposé conformément aux instructions de la note 1 ci-dessus. Si on n'entend pas de cliquetis, remplacer la cartouche RP46074.
5. Remettez le disque jusqu'à ce qu'entièrement assis. Voir la page 5 pour plus de détails.

T60P005 Model / Modelo / Modèle



RP81665

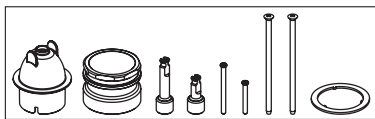
(ordered separately/venden por separado/vendues séparément)
 Available Extension Kit
 Juego de extensión
 Kit de rallonge



RP100096 ▲
Handle Assembly
Ensamble de la Manija
Poignée

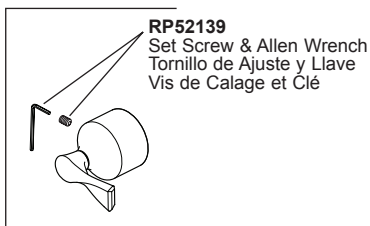
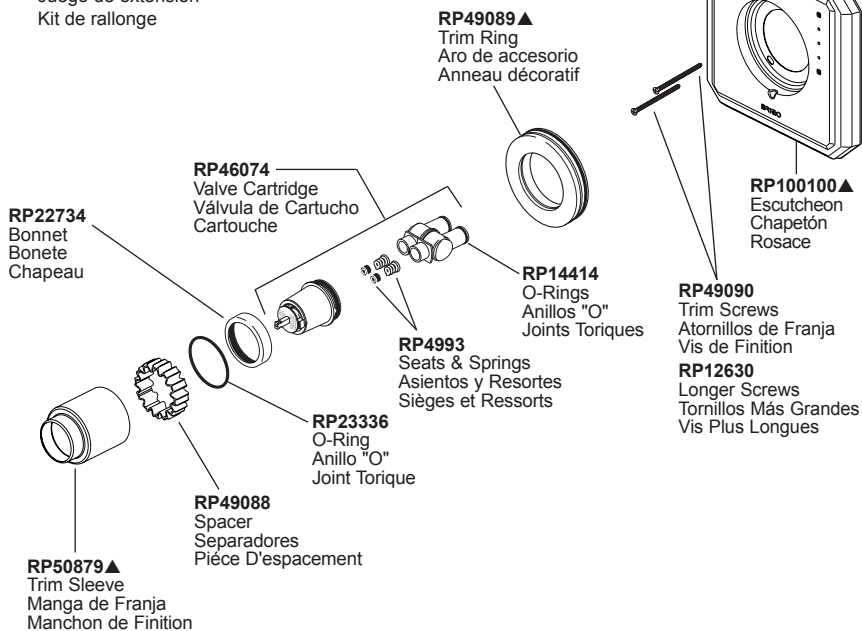
▲Specify Finish / Especificque el Acabado / Précisez le Fini

T60P030 Model / Modelo / Modèle



RP81665

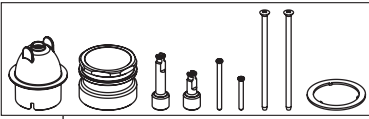
(ordered separately/venden por separado/vendues séparément)
Available Extension Kit
Juego de extensión
Kit de rallonge



RP100098▲
Handle Assembly
Ensamble de la Manija
Poignée

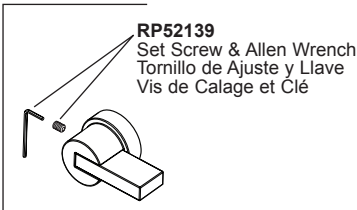
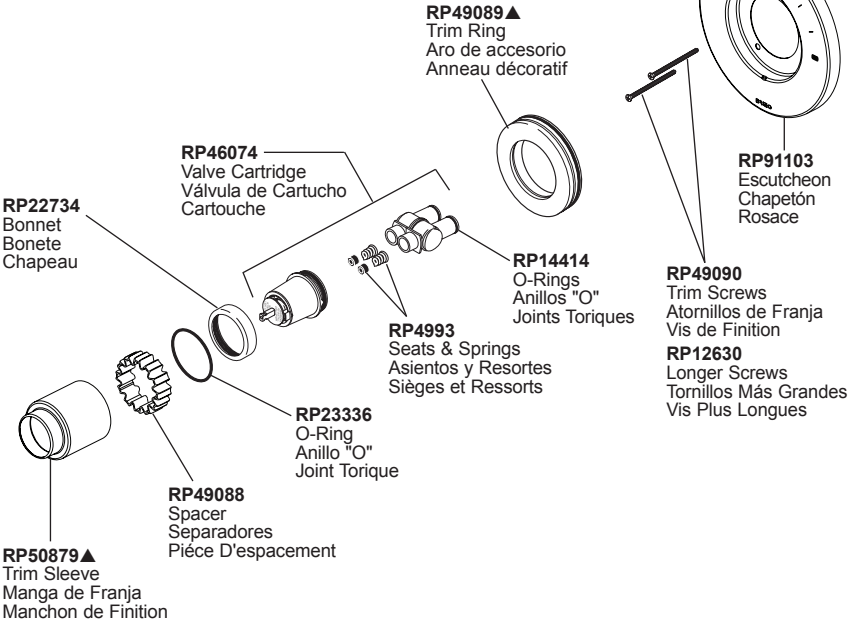
▲Specify Finish / Especificque el Acabado / Précisez le Fini

T60P035 Model / Modelo / Modèle



RP81665

(ordered separately/venden por separado/vendues séparément)
Available Extension Kit
Juego de extensión
Kit de rallonge

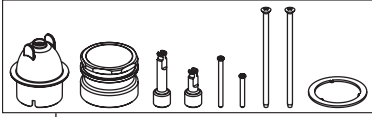


RP52139
Set Screw & Allen Wrench
Tornillo de Ajuste y Llave
Vis de Calage et Clé

RP91104▲
Handle Assembly
Ensamble de la Manija
Poignée

▲Specify Finish / Especificque el Acabado / Précisez le Fini

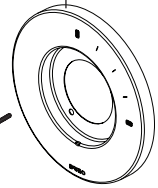
T60P050 Model / Modelo / Modèle



RP81665
 (ordered separately/venden por separado/vendus séparément)
 Available Extension Kit
 Juego de extensión
 Kit de rallonge

RP91103▲
 Escutcheon
 Chapetón
 Rosace

RP49090
 Trim Screws
 Atornillos de Franja
 Vis de Finition
RP12630
 Longer Screws
 Tornillos Más Grandes
 Vis Plus Longues



RP22734
 Bonnet
 Bonete
 Chapeau

RP46074
 Valve Cartridge
 Válvula de Cartucho
 Cartouche

RP49089▲
 Trim Ring
 Aro de accesorio
 Anneau décoratif



RP14414
 O-Rings
 Anillos "O"
 Joints Toriques

RP4993
 Seats & Springs
 Asientos y Resortes
 Sièges et Ressorts

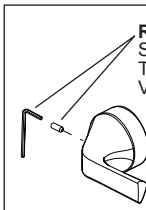
RP23336
 O-Ring
 Anillo "O"
 Joint Torique

RP49088
 Spacer
 Separadores
 Pièce D'espacement

RP50879▲
 Trim Sleeve
 Manga de Franja
 Manchon de Finition



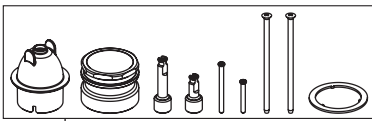
RP52139
 Set Screw & Allen Wrench
 Tornillo de Ajuste y Llave
 Vis de Calage et Clé



RP91105▲
 Handle Assembly
 Ensemble de la Manija
 Poignée

▲Specify Finish / Especificue el Acabado / Précisez le Fini

T60P060 & T60P061 Models / Modelos / Modèles

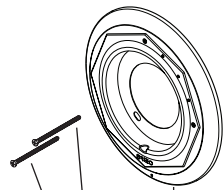


RP81665

(ordered separately/venden por separado/vendues séparément)
Available Extension Kit
Juego de extensión
Kit de rallonge

RP49089▲

Trim Ring
Aro de accesorio
Anneau décoratif



RP100102▲
Escutcheon
Chapetón
Rosace

RP22734

Bonnet
Bonete
Chapeau

RP46074

Valve Cartridge
Válvula de Cartucho
Cartouche

RP14414

O-Rings
Anillos "O"
Joints Toriques

RP4993

Seats & Springs
Asientos y Resortes
Sièges et Ressorts

RP23336

O-Ring
Anillo "O"
Joint Torique

RP49088

Spacer
Separadores
Pièce D'espacement

RP50879▲

Trim Sleeve
Manga de Franja
Manchon de Finition

RP49090

Trim Screws
Atornillos de Franja
Vis de Finition

RP12630

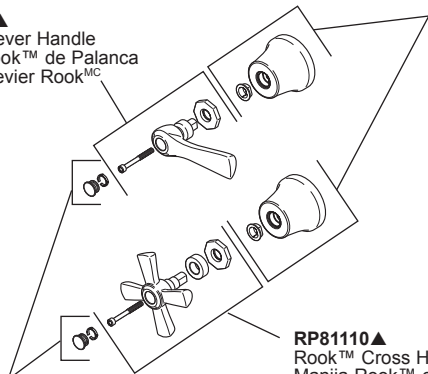
Longer Screws
Tornillos Más Grandes
Vis Plus Longues

RP81111▲

Rook™ Lever Handle
Manija Rook™ de Palanca
Manette-levier Rook™^{MC}

RP100101▲

Handle Assembly
Ensamble de la Manija
Poignée



RP81110▲

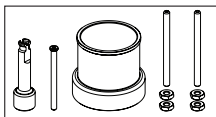
Rook™ Cross Handle
Manija Rook™ en Cruz
Manette cruciforme Rook™^{MC}

RP81526▲

Button & Friction Ring
Botón y Anillo de la Fricción
Bouton et boucle de frottement

▲Specify Finish / Especificque el Acabado / Précisez le Fini

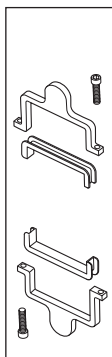
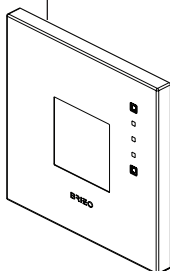
T60P080 Model / Modelo / Modèle



RP92056

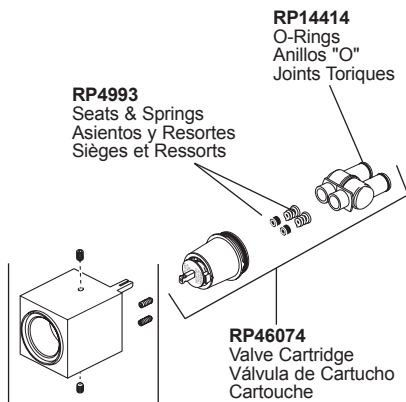
(ordered separately/venden por separado/vendues séparément)
Available Extension Kit
Juego de extensión
Kit de rallonge

RP91107▲
Escutcheon
Chapetón
Rosace



RP63688

Mounting plates, sleeves & screws
Placas de Montaje, Mangas y Tornillos
Plaques de montage, manchons et vis



RP4993

Seats & Springs
Asientos y Resortes
Sièges et Ressorts

RP14414

O-Rings
Anillos "O"
Joints Toriques

RP46074

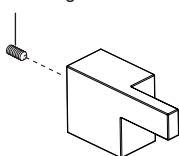
Valve Cartridge
Válvula de Cartucho
Cartouche

RP63689▲

Trim Sleeve
Manga de Franja
Manchon de Finition

RP26865

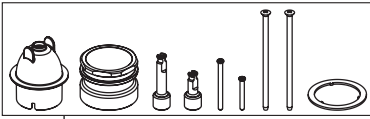
Set Screw
Tornillo de Ajuste
Vis de Calage



RP91108▲

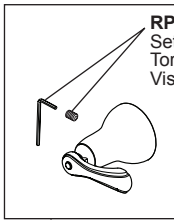
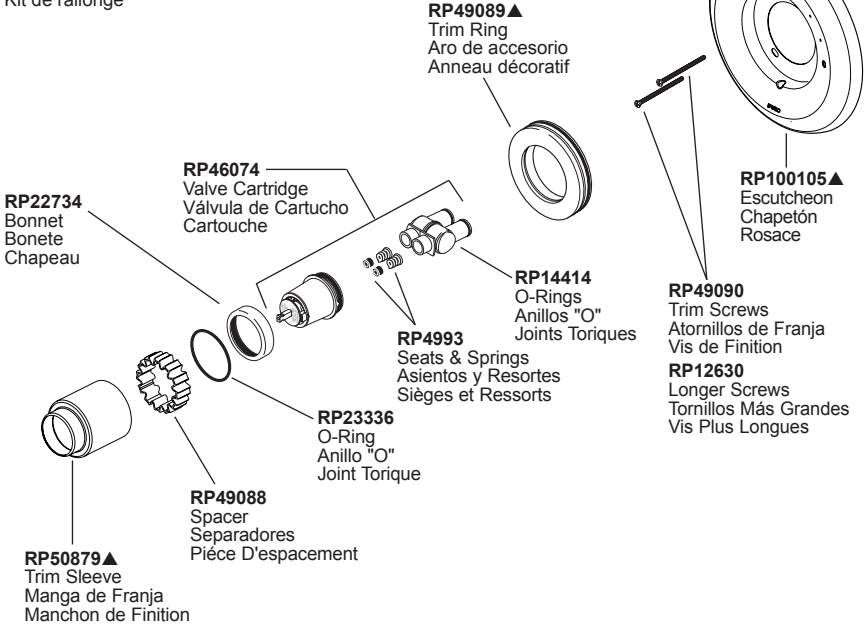
Handle Assembly
Ensamble de la Manija
Poignée

T60P085 Model / Modelo / Modèle



RP81665

(ordered separately/venden por separado/vendues séparément)
 Available Extension Kit
 Juego de extensión
 Kit de rallonge

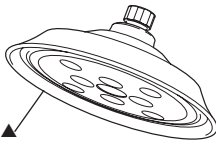


RP52139
Set Screw & Allen Wrench
Tornillo de Ajuste y Llave
Vis de Calage et Clé

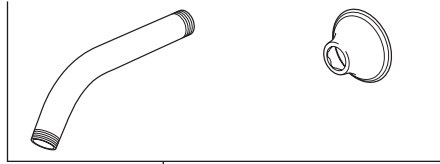
RP100104▲
Handle Assembly
Ensamble de la Manija
Poignée

▲Specify Finish / Especificque el Acabado / Précisez le Fini

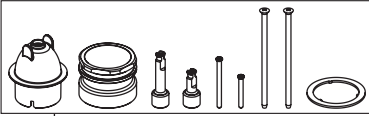
T60P210 & T60P410 Models / Modelos / Modèles



87305▲
2.0 gpm
Showerhead
Cabeza de Regadera
Pomme de Douche



RP62929▲
Shower Arm & Flange
Brazo de Regadera y Pestaña
Tuyau de Pomme
de Douche et Colletterie



RP81665
(ordered separately/venden por separado/vendues séparément)
Available Extension Kit
Juego de extensión
Kit de rallonge

RP22734
Bonnet
Bonete
Chapeau

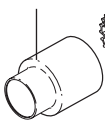
RP50879▲
Trim Sleeve
Manga de Franja
Manchon de Finition

RP46074
Valve Cartridge
Válvula de Cartucho
Cartouche

RP4993
Seats & Springs
Asientos y Resortes
Sièges et Ressorts

RP14414
O-Rings
Anillos "O"
Joints Toriques

RP60580▲
Escutcheon
Chapetón
Rosace

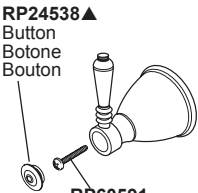


RP49088
Spacer
Separadores
Pièce D'espacement

RP23336
O-Ring
Anillo "O"
Joint Torique

RP49090
Trim Screws
Atornillos de Franja
Vis de Finition

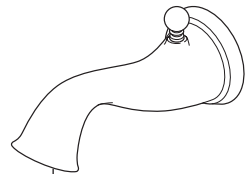
RP12630
Longer Screws
Tornillos Más Grandes
Vis Plus Longues



RP24538▲
Button
Botone
Bouton

RP60591
Screw / Tornillo / Vis

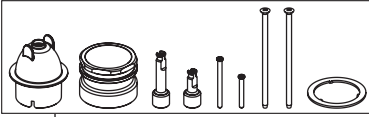
RP62046▲
Traditional Lever Handle
Manija Tradicional de Palanca
Manette-levier Traditional



RP49094▲
Tub Spout/Pull-Up Diverter
Tubo de Salida para Bañera/
Botón Desviador de Alzar
Bec/avec dérivation à tirette

▲Specify Finish / Especificue el Acabado / Précisez le Fini

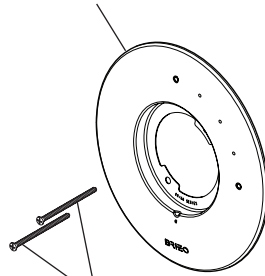
T60P075 Model / Modelo / Modèle



RP81665

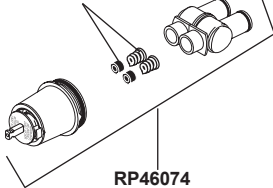
(ordered separately/venden por separado/vendues séparément)
Available Extension Kit
Juego de extensión
Kit de rallonge

RP91106▲
Escutcheon
Chapetón
Rosace



RP14414
O-Rings
Anillos "O"
Joints Toriques

RP4993
Seats & Springs
Asientos y Resortes
Sièges et Ressorts



RP49090
Trim Screws
Atornillos de Franja
Vis de Finition

RP12630
Longer Screws
Tornillos Más Grandes
Vis Plus Longues

RP49089▲
Trim Ring
Aro de accesorio
Anneau décoratif

RP46074
Valve Cartridge
Válvula de Cartucho
Cartouche

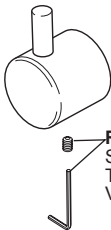
RP50879▲
Trim Sleeve
Manga de Franja
Manchon de Finition



RP49088
Spacer
Separadores
Pièce D'espacement

RP22734
Bonnet
Bonete
Chapeau

RP23336
O-Ring
Anillo "O"
Joint Torique



RP52139
Set Screw & Allen Wrench
Tornillo de Ajuste y Llave
Vis de Calage et Clé

RP62049▲
Euro Handle
Manija Euro
Manette Euro

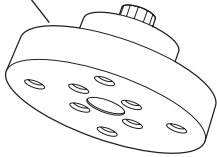
▲Specify Finish / Especificque el Acabado / Précisez le Fini

T60P220-PC-ECO & T60P420-PC-ECO

Models / Modelos / Modèles

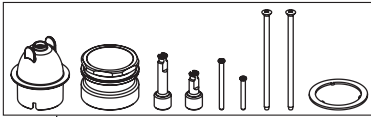
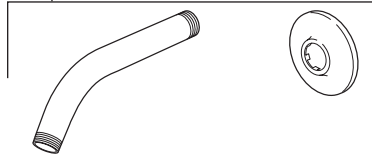
87375-PC-ECO

1.5 gpm
Showerhead
Cabeza de Regadera
Pomme de Douche



RP74751▲

Shower Arm & Flange
Brazo de Regadera y Pestaña
Tuyau de Pomme
de Douche et Collettere



RP81665

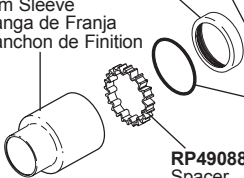
(ordered separately/venden por separado/ventues séparément)
Available Extension Kit
Juego de extensión
Kit de rallonge

RP22734

Bonnet
Bonete
Chapeau

RP50879▲

Trim Sleeve
Manga de Franja
Manchon de Finition



RP46074

Valve Cartridge
Válvula de Cartucho
Cartouche

RP23336

O-Ring
Anillo "O"
Joint Torique

RP49088

Spacer
Separadores
Pièce D'espacement

RP49090

Trim Screws
Atornillos de Franja
Vis de Finition

RP12630

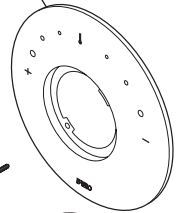
Longer Screws
Tornillos Más Grandes
Vis Plus Longues

RP49089▲

Trim Ring
Aro de accesorio
Anneau décoratif

RP60581▲

180° Marking Escutcheon
Chapetón calicación 180°
Rosace marquage 180°



RP14414

O-Rings
Anillos "O"
Joints Toriques

RP4993

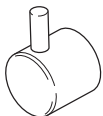
Seats & Springs
Asientos y Resortes
Sièges et Ressorts

RP91106▲

90° Marking Escutcheon
Chapetón calicación 90°
Rosace marquage 90°

RP54874▲

Tub Spout/Pull-Down Diverter & Flange
Tubo de Salida para Bañera/Desviador
de Halar y Brida
Bec/Avec Dérivation sur Embout et Collettere

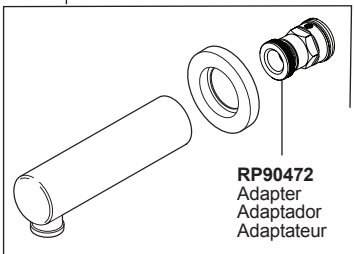


RP52139

Set Screw & Allen Wrench
Tornillo de Ajuste y Llave
Vis de Calage et Clé

RP62049▲

Euro Handle
Manija Euro
Manette Euro



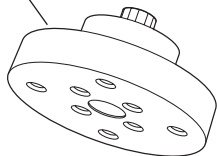
RP90472

Adapter
Adaptador
Adaptateur

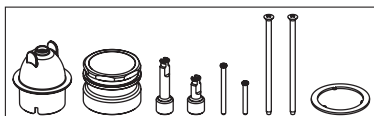
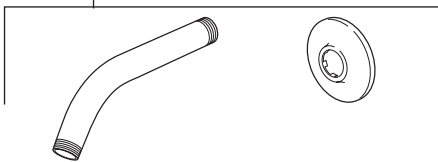
▲Specify Finish / Especificque el Acabado / Précisez le Fini

T60P220 & T60P420 Models / Modelos / Modèles

87375▲
2.0 gpm
Showerhead
Cabeza de Regadera
Pomme de Douche



RP74751▲
Shower Arm & Flange
Brazo de Regadera y Pestaña
Tuyau de Pomme
de Douche et Collettere



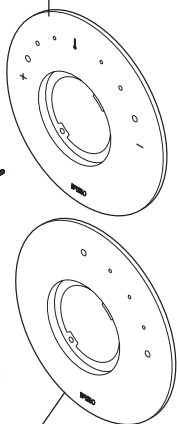
RP81665
(ordered separately/venden por separado/vendus séparément)
Available Extension Kit
Juego de extensión
Kit de rallonge

RP49090
Trim Screws
Atornillos de Franja
Vis de Finition

RP12630
Longer Screws
Tornillos Más Grandes
Vis Plus Longues

RP49089▲
Trim Ring
Aro de accesorio
Anneau décoratif

RP60581▲
180° Marking Escutcheon
Chapetón calicación 180°
Rosace marquage 180°



RP22734
Bonnet
Bonete
Chapeau

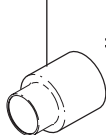
RP46074
Valve Cartridge
Válvula de Cartucho
Cartouche

RP50879▲
Trim Sleeve
Manga de Franja
Manchon de Finition

RP4993
Seats & Springs
Asientos y Resortes
Sièges et Ressorts

RP14414
O-Rings
Anillos "O"
Joints Toriques

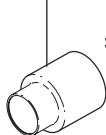
RP91106▲
90° Marking Escutcheon
Chapetón calicación 90°
Rosace marquage 90°



RP23336
O-Ring
Anillo "O"
Joint Torique

RP54874▲
Tub Spout/Pull-Down Diverter & Flange
Tubo de Salida para Bañera/Desviador
de Halar y Brida

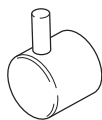
Bec/Avec Dérivation sur Embout et Collettere



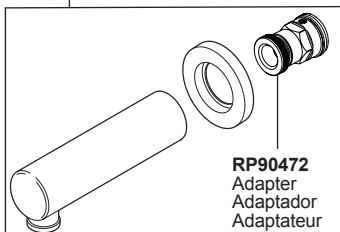
RP49088
Spacer
Separadores
Pièce D'espacement

RP62049▲
Euro Handle
Manija Euro
Manette Euro

RP90472
Adapter
Adaptador
Adaptateur

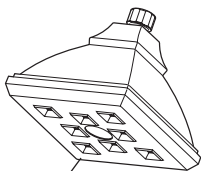


RP52139
Set Screw & Allen Wrench
Tornillo de Ajuste y Llave
Vis de Calage et Clé



▲Specify Finish / Especificque el Acabado / Précisez le Fini

T60P240 & T60P440 Models / Modelos / Modèles

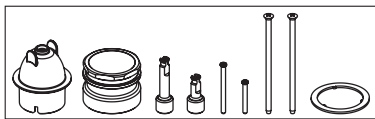


87340 ▲
2.0 gpm
Showerhead
Cabeza de Regadera
Pomme de Douche



RP71649 ▲
Shower Arm & Flange
Brazo de Regadera y Pestaña
Tuyau de Pomme
de Douche et Collettere

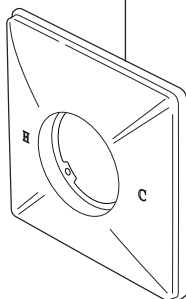
RP60582 ▲
Escutcheon
Chapetón
Rosace



RP81665
(ordered separately/venden por separado/vendues séparément)
Available Extension Kit
Juego de extensión
Kit de rallonge

RP49090
Trim Screws
Atornillos de Franja
Vis de Finition

RP12630
Longer Screws
Tornillos Más Grandes
Vis Plus Longues



RP49089 ▲
Trim Ring
Aro de accesorio
Anneau décoratif

RP22734
Bonnet
Bonete
Chapeau

RP46074
Valve Cartridge
Válvula de Cartucho
Cartouche

RP50879 ▲
Trim Sleeve
Manga de Franja
Manchon de Finition

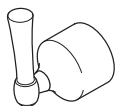
RP14414
O-Rings
Anillos "O"
Joints Toriques

RP4993
Seats & Springs
Asientos y Resortes
Sièges et Ressorts



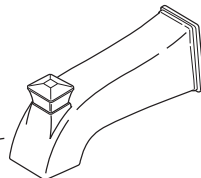
RP49088
Spacer
Separadores
Pièce D'espacement

RP23336
O-Ring
Anillo "O"
Joint Torique



RP62048 ▲
Vesi® Handle
Manija Vesi®
Manette Vesi®

RP52139
Set Screw & Allen Wrench
Tornillo de Ajuste y Llave
Vis de Calage et Clé



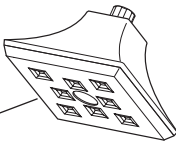
RP49126 ▲
Tub Spout/Pull-Up Diverter
Tubo de Salida para Bañera/
Botón Desviador de Alzar
Bec/avec dérivation à tirette

▲ Specify Finish / Especificque el Acabado / Précisez le Finition

T60P290 & T60P490 Models / Modelos / Modèles

RP48040▲

Shower Arm, Set Screw & Wrench
 Brazo de Regadera, Tornillo de Ajuste y Llave
 Tuyau de Pomme de Douche, Vis de Calage et Clé



87390▲
2.0 gpm

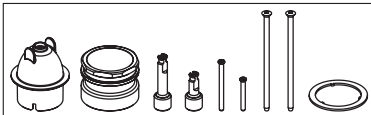
Showerhead
 Cabeza de Regadera
 Pomme de Douche

RP40650
 Set Screw
 Tornillo de Ajuste
 Vis de Calage

RP49349
 Adapter
 Adaptador
 Adaptateur

RP62604
 Wrench
 Llave
 Clé

RP60581▲
 Escutcheon
 Chapetón
 Rosace



RP49090
 Trim Screws
 Atornillos de Franja
 Vis de Finition

RP12630
 Longer Screws
 Tornillos Más Grandes
 Vis Plus Longues

RP81665

(ordered separately/venden por separado/vendues séparément)
 Available Extension Kit
 Juego de extensión
 Kit de rallonge

RP46074
 Valve Cartridge
 Válvula de Cartucho
 Cartouche

RP49089▲
 Trim Ring
 Aro de accesorio
 Anneau décoratif

RP22734

Bonnet
 Bonete
 Chapeau

RP14414
 O-Rings
 Anillos "O"
 Joints Toriques

RP4993
 Seats & Springs
 Asientos y Resortes
 Sièges et Ressorts

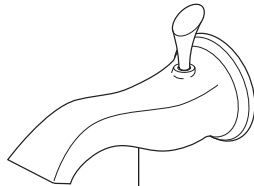


RP23336
 O-Ring
 Anillo "O"
 Joint Torique

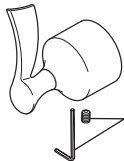
RP49088
 Spacer
 Separadores
 Pièce D'espacement

RP50879▲

Trim Sleeve
 Manga de Franja
 Manchon de Finition



RP49345▲
 Tub Spout/Pull-Up Diverter
 Tubo de Salida para Bañera/
 Botón Desviador de Alzar
 Bec/avec dérivation à tirette



RP52139
 Set Screw & Allen Wrench
 Tornillo de Ajuste y Llave
 Vis de Calage et Clé

RP62050▲
 RSVP Lever Handle
 Manija de Palanca RSVP
 Manette-levier RSVP

▲Specify Finish / Especificque el Acabado / Précisez le Fini

Delta Faucet Company
Product Service
55 E. 111th Street
Indianapolis, IN 46280